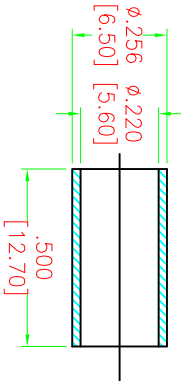
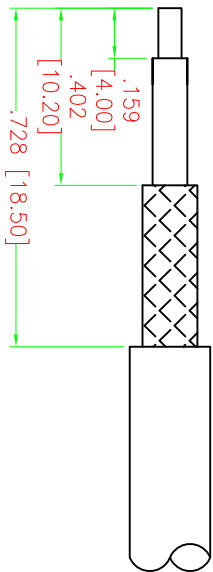
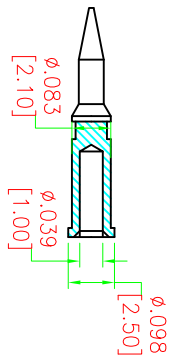
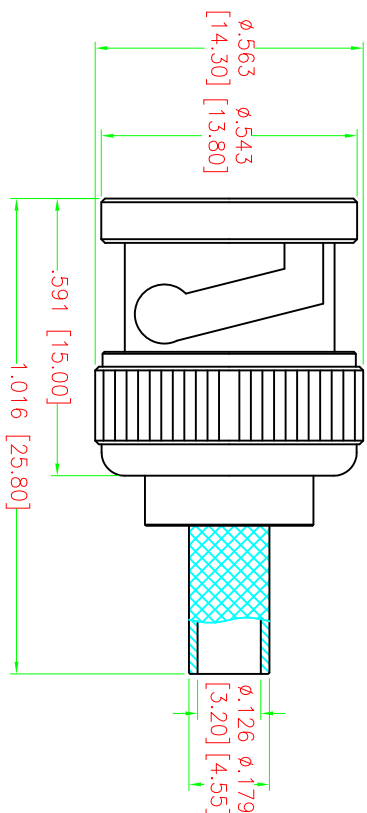


Rev	AWO #	Description	Date	Appr
-		RELEASED	9/22/11	

APPROVED: _____
 DATE: _____ TITLE: _____



Recommended Cable Stripping

SPECIFICATIONS:

Crimped Ferrule Hex Crimp Size .068 [1.73]
 Crimped Contact Pin Hex Crimp Size .213 [5.40]

Electrical:
 Impedance: 50 ohms
 Frequency range: 0-4 GHz
 Working Voltage: 500 VRMS max.

Dielectric Withstanding Voltage: 1500 VRMS min.
 Contact Resistance: 3 Milliohms max. (Center Contact)
 2 Milliohms max. (Outer Contact)

Insulator Resistance: 5000 Megohms min.
 Environmental:
 Lead free, RoHS compliant.

UNLESS OTHERWISE SPECIFIED ALL DIMENSIONS ARE INCHES [MM]	
TOLERANCES: EXCEPT AS NOTED	
INCHES	HOLES
.X ± .10	Ø.X ± .10
.XX ± .020	Ø.XX ± .015
.XXX ± .015	Ø.XXX ± .010
APPROVALS	
DRAWN	TW
CHECKED	AY
APPROVED	

ADAM TECH
 909 Ratway Avenue, Union, NJ 07083
 Phone: 908-687-5000 Fax: 908-687-5710

TITLE	RF CONNECTORS, BNC MALE CRIMP TYPE
PART NO.	POLYPROPYLENE, 50OHMS, PL59
SIZE	RF1-03-P-59-50
REF:	SCALE: NTS
SHEET 1 OF 1	REV: -