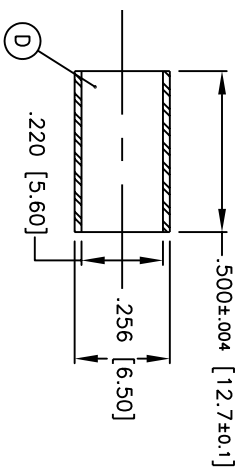
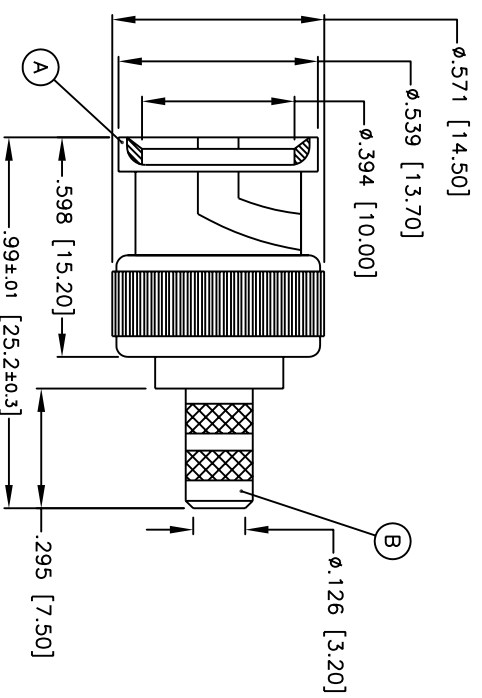
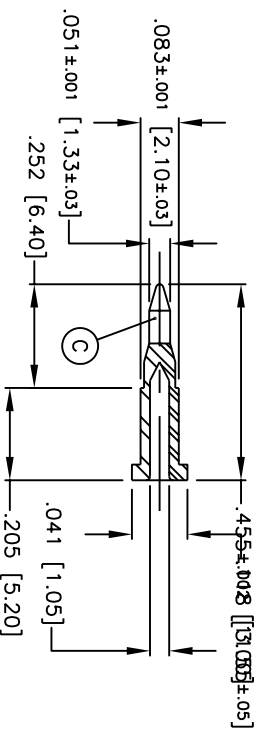


Rev	Description	Date	Appr
0	Released	01/09/98	



A	SHELL	BRASS	1
B	BODY	BRASS	1
C	PIN	BRASS	1
D	RING	BRASS	1

XX	IMPEDANCE
-75	75 ohm
-50	50 ohm

SPECIFICATIONS:

MATERIAL:
Housing: Brass
Insulator: Teflon
Contacts: Brass

ELECTRICAL:
Frequency range: 0-4 GHz
Voltage rating: 500 Volts AC
VSWR: 1.2 max 0-2 GHz

Impedance: see impedance table
Contact resistance: Center: 3 Mohm @ 1 A DC
Insulation resistance: 5000 M min @ 1500 VDC between adjacent contacts (75°F and 50% R.H.)

ADAM TECH

Dimension in IN [MM]	Tolerance (Unless Otherwise Specified) XX ± .01 XXX ± .005
DRAWN : SS	APPR :
SCALE : NTS	DATE: 4/12/04

DESCRIPTION: BNC-Straight Crimp Plug For RG-735A Cable			
PART NUMBER: RF1-03-T-04-XX			
SHEET 1	LOG	REF.	REV.
OF 1 SHEETS			