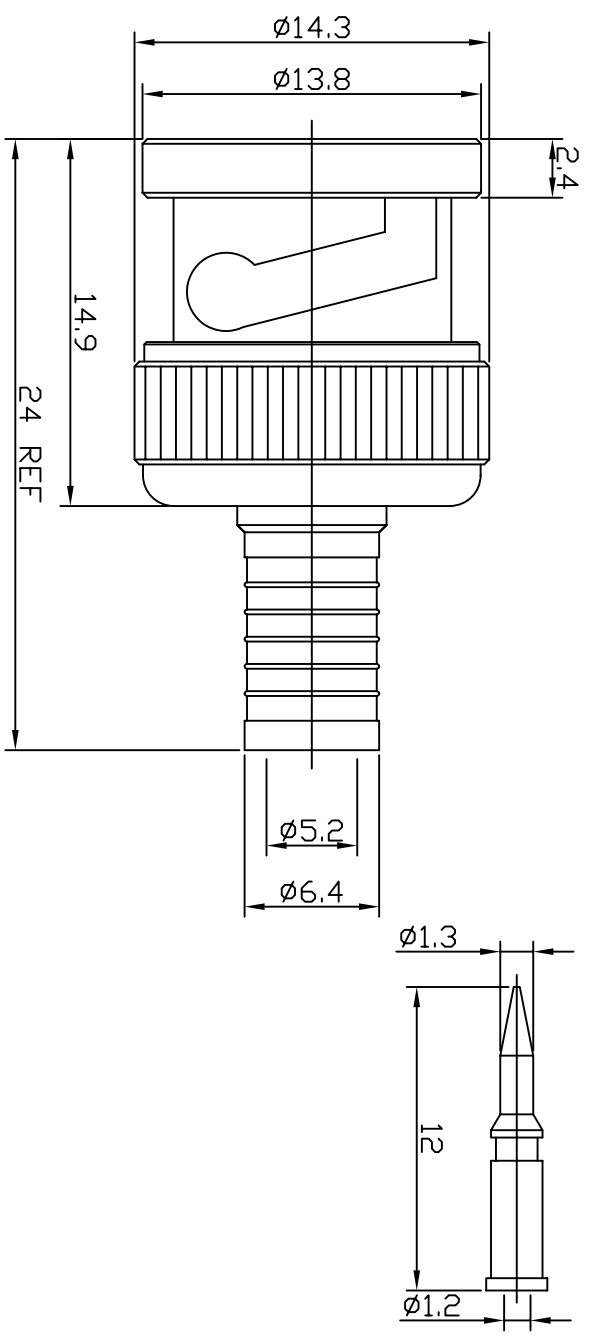
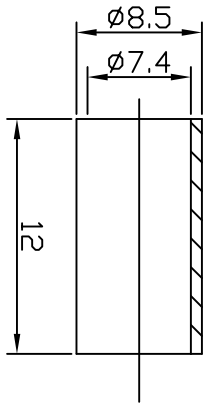


Rev	AWO #	Description	Date	Appr
-		RELEASED	11/30/07	

APPROVED: \_\_\_\_\_ TITLE: \_\_\_\_\_  
 DATE: \_\_\_\_\_



NO	DESCRIPTION	MATERIAL	FINISH	QTY
3	SLEEVE	BRASS	NICKEL	1
2	CENTER CONTACT BODY	BRASS	GOLD	1
	WASHER	ZINC	NICKEL	1
	SPRING	IRON	NICKEL	1
	INSULATOR	65Mn	NONE	1
1	DUT CONTACT RUBBER WASHER	ZINC	NICKEL	1
	INSULATOR	PVC	NONE	1
	SHELL	TEFLON	NONE	1
		ZINC	NICKEL	1



UNLESS OTHERWISE SPECIFIED  
 ALL DIMENSIONS ARE INCHES [MM]  
 TOLERANCES: EXCEPT AS NOTED

INCHES	HOLES
.X ± .10	Ø.X ± .10
.XX ± .020	Ø.XX ± .015
.XXX ± .015	Ø.XXX ± .010

APPROVALS	DATE
DRAWN SS	8/19/05
CHECKED	
APPROVED	

**ADAM TECH**  
 909 Rahway Avenue, Union, NJ 07083  
 Phone: 908-687-5000 Fax: 908-687-5710

TITLE: BNC MALE CRIMP, 75 OHM, TEFLON INSULATOR

SIZE	PART NO.	REV.
X	RF-03-T-05-75	

**ELECTRICAL:**  
 Frequency range: 0-4 GHz  
 Voltage rating: 500 Volts AC  
 VSWR: 1.2 max 0-2 GHz  
 Impedance: 75 OHMS  
 Environmental:  
 Lead free, RoHS compliant.

