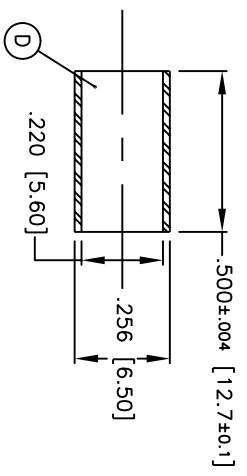
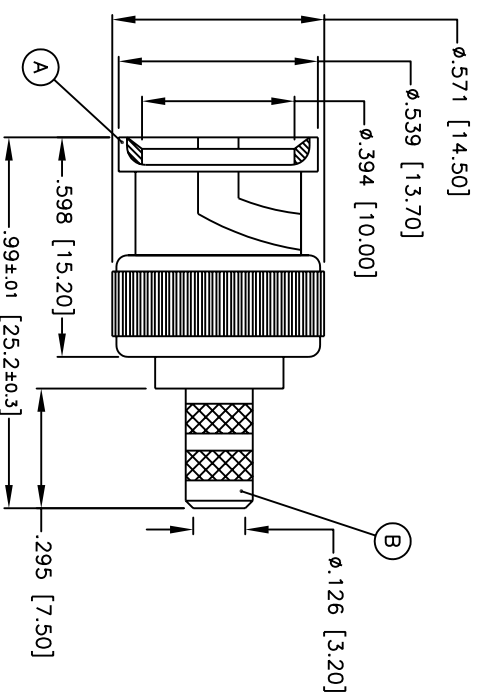
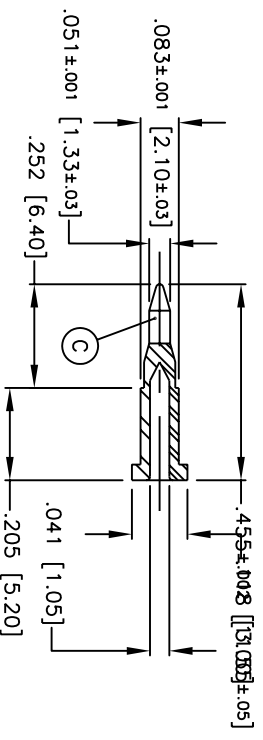


Rev	Description	Date	Appr
0	Released	4/12/04	



A	SHELL	BRASS	1
B	BODY	BRASS	1
C	PIN	BRASS	1
D	RING	BRASS	1

XX	IMPEDANCE
-75	75 ohm
-50	50 ohm

SPECIFICATIONS:

MATERIAL:
Housing: Brass
Insulator: Teflon
Contacts: Brass

ELECTRICAL:
Frequency range: 0-4 GHz
Voltage rating: 500 Volts AC
VSWR: 1.2 max 0-2 GHz

Impedance: see impedance table
Contact resistance: Center: 3 Mohm @ 1 A DC
Insulation resistance: 5000 M min @ 1500 VDC between adjacent contacts (75°F and 50% R.H.)

ADAM TECH

Dimension in IN [MM]		DRAWN : SS		DESCRIPTION: BNC-Straight Crimp Plug For RG-734A Cable	
Tolerance (Unless Otherwise Specified) XX ± .01 XXX ± .005		APPR :		PART NUMBER: RF1-03-T-18-XX	
DATE: 4/12/04	SCALE : NTS	SHEET 1	LOG	REF.	REV.
		OF 1 SHEETS			