

6

5

4

3

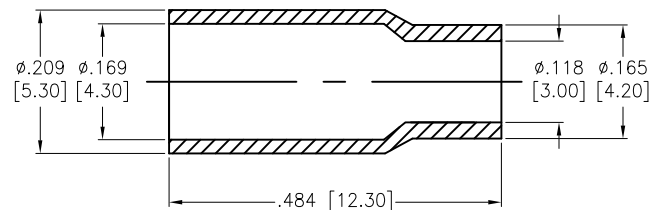
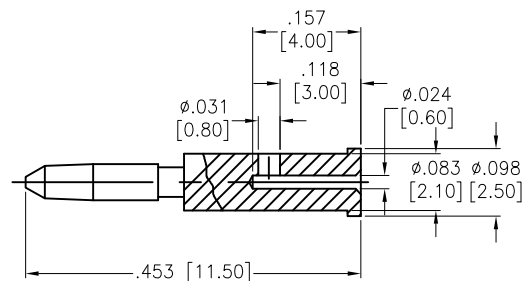
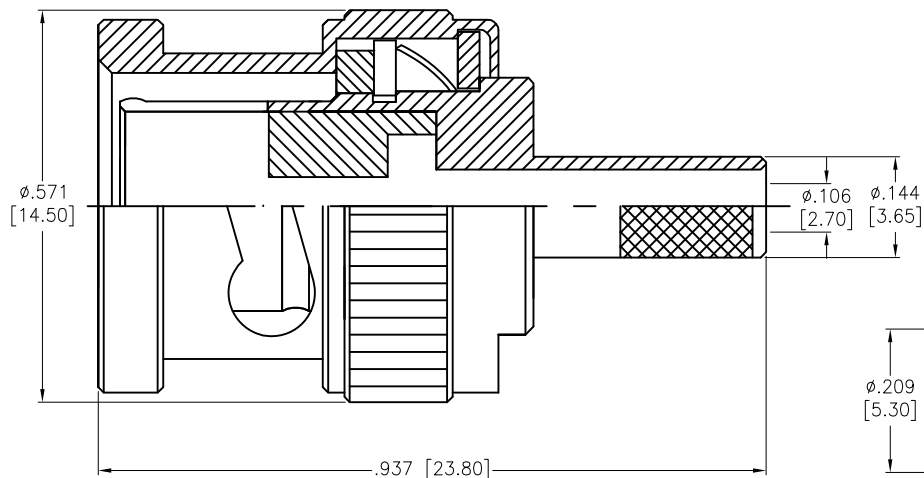
2

1

APPROVED: _____

DATE: _____ TITLE: _____

Rev	AWO #	Description	Date	Appr
-		RELEASED	1/18/16	



PIN	BRASS	GOLD
INSULATOR	TEFLON	NONE
SHELL	BRASS	NICKEL
BODY	BRASS	NICKEL
DESCRIPTION	MATERIAL	FINISH

SPECIFICATIONS:

Electrical:
 Nominal Impedance: 75 ohms
 Frequency range: 0-1 GHz
 Working Voltage: 500 VRMS max.
 Dielectric Withstanding Voltage: 1500 VRMS min.
 Contact Resistance: 3 Milliohms max. (Center Contact)
 2 Milliohms max. (Outer Contact)
 Insulator Resistance: 5000 Megohms min.
 VSWR: 1.3 max.
 Environmental:
 Lead free, RoHS compliant.



UNLESS OTHERWISE SPECIFIED
 ALL DIMENSIONS ARE INCHES [MM]
 TOLERANCES: EXCEPT AS NOTED
 INCHES HOLES

.X	± .10	Ø.X	± .10
.XX	± .020	Ø.XX	± .015
.XXX	± .015	Ø.XXX	± .010

ADAM TECH

909 Rahway Avenue, Union, NJ 07083
 Phone: 908-687-5000 Fax: 908-687-5710

APPROVALS		DATE
DRAWN	HR	1/18/16
CHECKED	NC	1/18/16
APPROVED		

TITLE		
BNC MALE CONNECTOR, 75 OHMS, RG174U		
SIZE	PART NO.	REV.
X	RF1-03A-T-02-75	-
REF: S00049T	SCALE: NTS	SHEET 1 OF 1

6

5

4

3

2

1