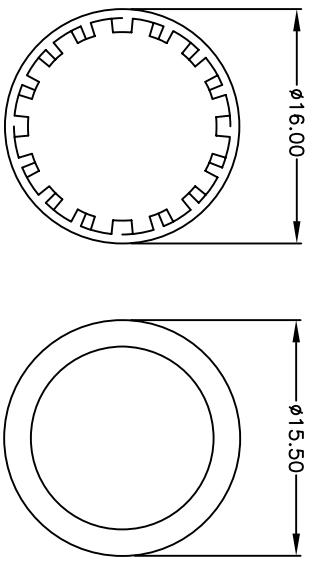
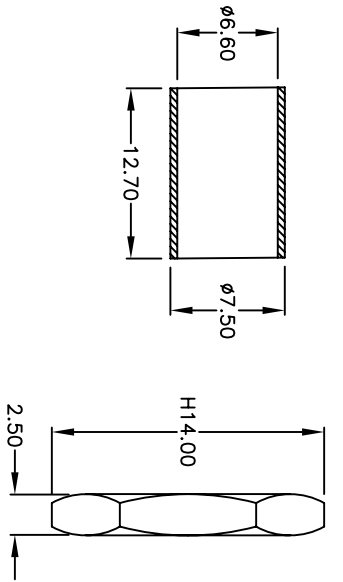
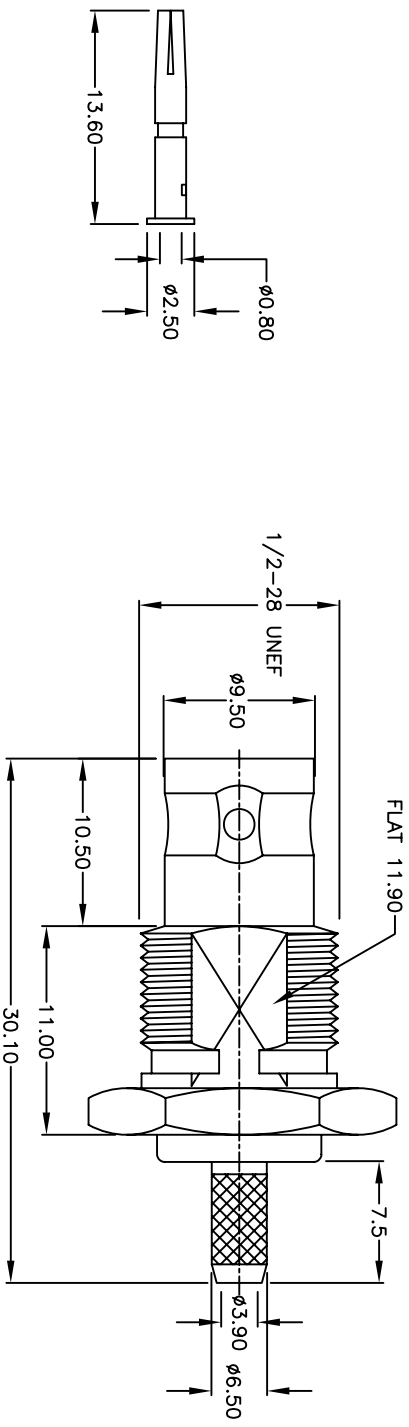


Rev	AWO #	Description	Date	Appr
-		RELEASED	1/10/08	

APPROVED: \_\_\_\_\_  
 DATE: \_\_\_\_\_ TITLE: \_\_\_\_\_



NO	Description	Qty	Material	Finish
9	RING	1	BRASS	Nickel
8	PIN	1	BRASS	GOLD
7	WASHER	1	BRASS	NICKEL
6	INSULATOR	1	TEFLON	NONE
5	GASKET	1	SI-RUBBER	RED
4	WASHER	1	BRASS	NICKEL
3	NUT	1	BRASS	NICKEL
2	BODY	1	BRASS	Nickel
1	BODY	1	BRASS	Nickel

**CONNECTOR SPECIFICATIONS:**  
**ELECTRICAL:**  
 Operating Voltage: 500 VAC max.  
 Impedance: 75 ohms; Frequency Range: 0-4 GHz  
 Contact Resistance: Inner: 6 – Outer; 3 mohms  
 Insulation Resistance: 5000 Mohms (min.) @ 1500 VDC  
 between adjacent contacts (75°F and 50 % R.H.)

**TEMPERATURE RATING:**  
 Dielectric Withstanding Voltage: 1500 VAC (min.) rms  
 Operating Temperature: -55°C to +85°C  
 Environmental:  
 Lead free, RoHS compliant.



**ADAM TECH**  
 909 Rahway Avenue, Union, NJ 07083  
 Phone: 908-687-5000 Fax: 908-687-5710

**BNC FEMALE CRIMP FOR RG59**

UNLESS OTHERWISE SPECIFIED ALL DIMENSIONS ARE MM [INCHES] TOLERANCES: EXCEPT AS NOTED INCHES	
.X ± .10	ØX ± .10
.XX ± .020	ØXX ± .015
.XXX ± .015	ØXXX ± .010
APPROVALS	DATE
DRAWN	SLS
CHECKED	
APPROVED	

SIZE	PART NO.	REV.
X	RF1-04-T-04-75	-
REF:	SCALE: NTS	SHEET 1 OF 1