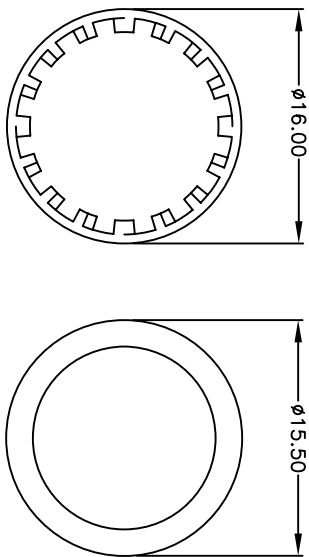
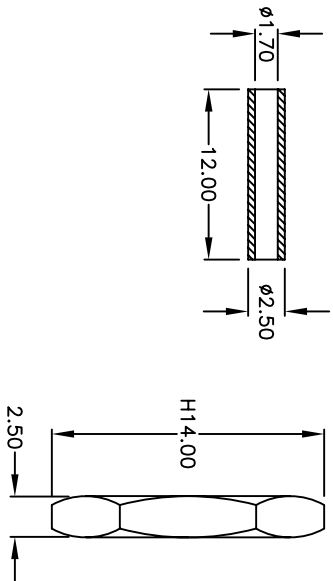
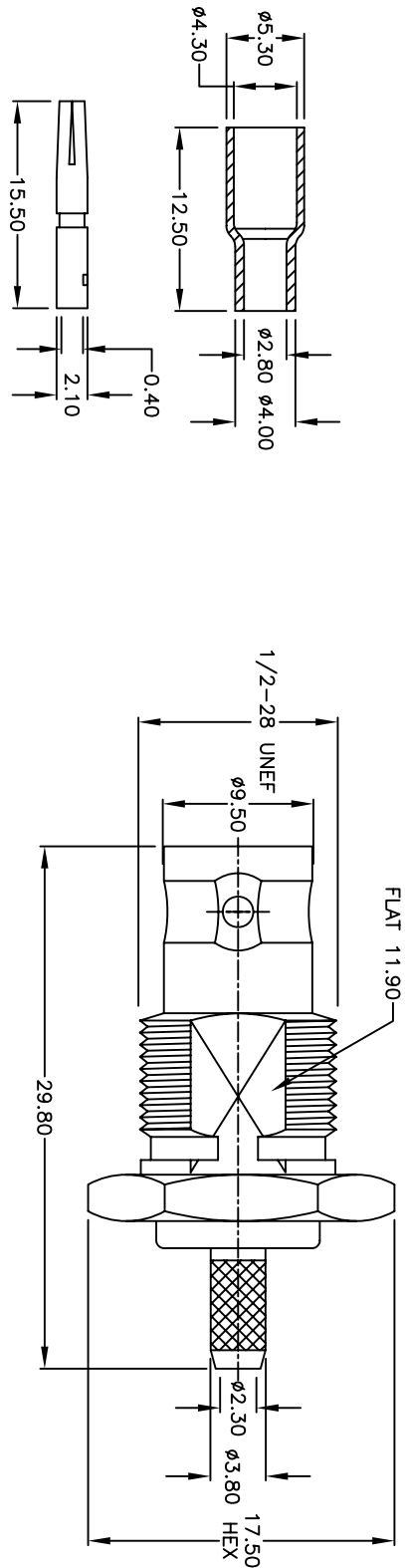


| Rev | AWO # | Description | Date | Appr |
|-----|-------|-------------|--------|------|
| - | | RELEASED | 3/6/08 | |

APPROVED: _____
 DATE: _____ TITLE: _____



| NO | Description | Qty | Material | Finish |
|----|-------------|-----|-----------|--------|
| 9 | RING | 1 | BRASS | Nickel |
| 8 | PIN | 1 | BRASS | GOLD |
| 7 | WASHER | 1 | BRASS | NICKEL |
| 6 | INSULATOR | 1 | TEFLON | NONE |
| 5 | GASKET | 1 | SI-RUBBER | RED |
| 4 | WASHER | 1 | BRASS | NICKEL |
| 3 | NUT | 1 | BRASS | NICKEL |
| 2 | BODY | 1 | BRASS | Nickel |
| 1 | BODY | 1 | BRASS | Nickel |

CONNECTOR SPECIFICATIONS:
ELECTRICAL:
 Operating Voltage: 500 VAC max.
 Impedance: 50 ohms; Frequency Range: 0-4 GHz
 Contact Resistance: Inner: 6 – Outer; 3 mohms
 Insulation Resistance: 5000 Mohms (min.) @ 1500 VDC
 between adjacent contacts (75°F and 50 % R.H.)

TEMPERATURE RATING:
 Dielectric Withstanding Voltage: 1500 VAC (min.) rms
 Operating Temperature: -55°C to +85°C
 Environmental:
 Lead free, RoHS compliant.

ADAM TECH
 909 Rahway Avenue, Union, NJ 07083
 Phone: 908-687-5000 Fax: 908-687-5710

BNC FEMALE CRIMP FOR RG178 / U

| | |
|---|-------------|
| UNLESS OTHERWISE SPECIFIED ALL DIMENSIONS ARE MM [INCHES] TOLERANCES: EXCEPT AS NOTED INCHES | |
| .X ± .10 | ØX ± .10 |
| .XX ± .020 | ØXX ± .015 |
| .XXX ± .015 | ØXXX ± .010 |
| APPROVALS | DATE |
| DRAWN | SLS |
| CHECKED | |
| APPROVED | |

| | | |
|------|----------------|--------------|
| SIZE | PART NO. | REV. |
| X | RF1-04-T-21-60 | - |
| REF: | SCALE: NTS | SHEET 1 OF 1 |

