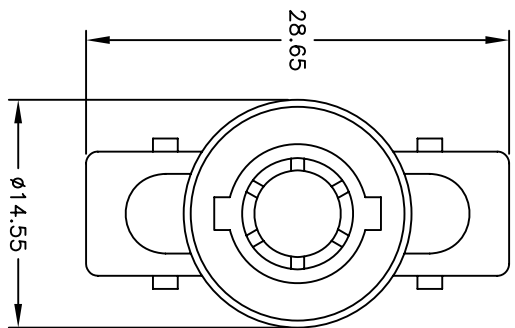
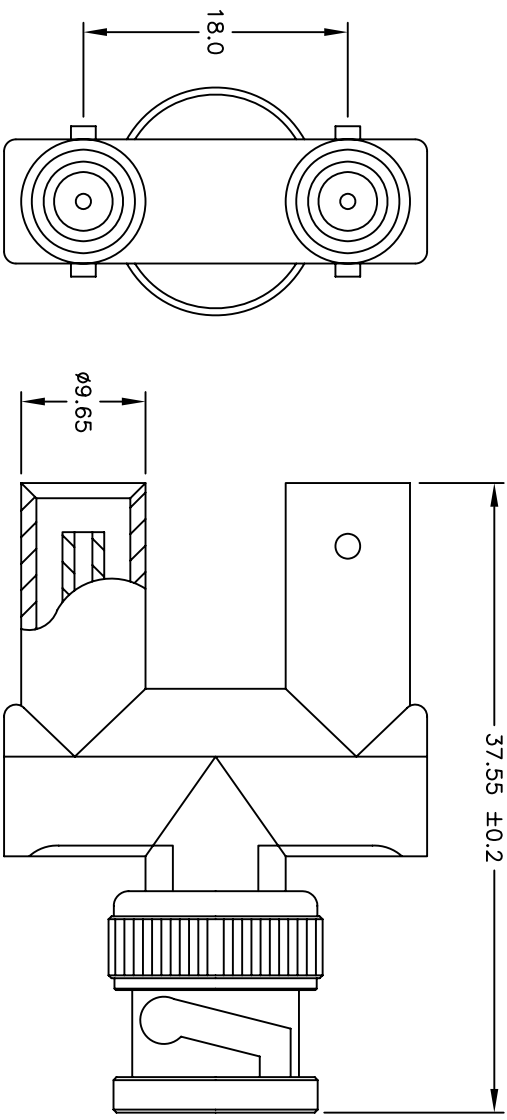


Rev	AWO #	Description	Date	Appr
-	6696	RELEASED	5/25/06	

APPROVED: \_\_\_\_\_  
 DATE: \_\_\_\_\_ TITLE: \_\_\_\_\_



**SPECIFICATIONS:**  
**MATERIAL**  
 Body: Zinc Alloy, Nickel plated  
 Center Contact:  
 Male: Brass, Gold plated  
 Female: Phosphor Bronze, Gold plated  
 Insulator: PE-606

**ELECTRICAL:**  
 Frequency range: 0-4 GHz  
 Voltage rating: 500 Volts AC  
 VSWR: 1.2 max 0-2 GHz  
 Impedance: 50 OHMS

**Environmental:**  
 Lead free, RoHS compliant.



UNLESS OTHERWISE SPECIFIED  
 ALL DIMENSIONS ARE INCHES [MM]  
 TOLERANCES: EXCEPT AS NOTED

INCHES	±.10	ØX	±.10
.XX	±.020	ØXX	±.015
.XXX	±.015	ØXXX	±.010

APPROVALS	DATE
DRAWN	SS
CHECKED	5/25/06
APPROVED	

**ADAM TECH**  
 909 Railway Avenue, Union, NJ 07083  
 Phone: 908-687-5000 Fax: 908-687-5710

TITLE  
**BNC 'Y' ADAPTER**

SIZE	PART NO.	REV.
X	RF1-06-D-XX-50	-
REF:	SCALE: NTS	SHEET 1 OF 1