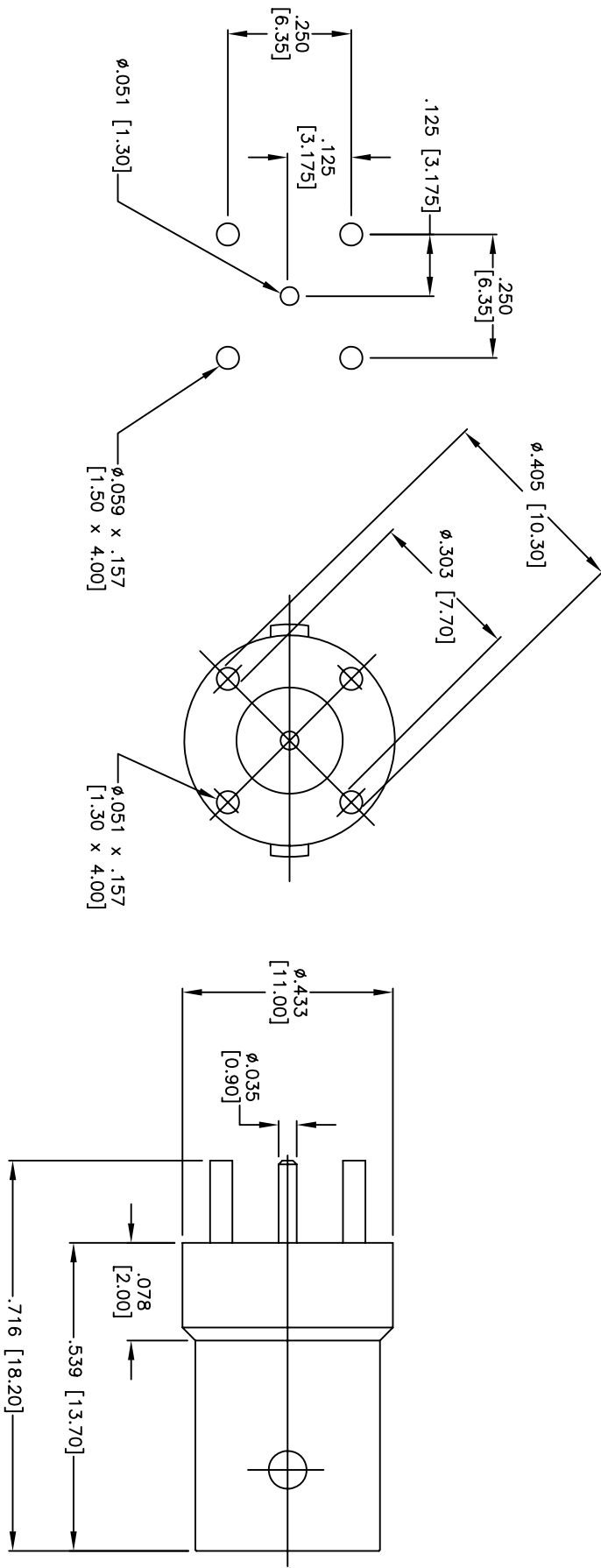


Rev	AWO #	Description	Date	Appr
-		RELEASED	3/15/07	

APPROVED: _____

DATE: _____ TITLE: _____



DESCRIPTION	MATERIAL	FINISH	QTY
BODY	BRASS	NICKEL	1
INSULATOR	TEFLON	WHITE	1
LOCK RING	BRASS	NICKEL	1
CENTER PIN	BRASS	GOLD	1

ELECTRICAL SPECIFICATIONS:

Operation Voltage: 500 VAC max.
 Impedance: 50 ohms;
 Frequency Range: 0-4 GHz
 Contact Resistance: Inner: 3 mohms max. at DC 1A
 Insulation Resistance: 1000 Mohms (min.) @ 500 VDC
 Dielectric Withstanding Voltage: 1500 VAC (min.) rms
 VSWR: 1.2 max x .0-2GHz
 Interface Per MIL-C-39012C

ENVIRONMENTAL:

Lead free, RoHS compliant.
 Recommended soldering temp: 235°C for 5 sec.



UNLESS OTHERWISE SPECIFIED
 ALL DIMENSIONS ARE MM [INCHES]
 TOLERANCES: EXCEPT AS NOTED

INCHES	HOLDS
.X ± .10	ØX ± .10
.XX ± .020	ØXX ± .015
.XXX ± .015	ØXXX ± .010

APPROVALS: _____ DATE: _____

DRAWN: BW 3/15/07
 CHECKED: _____
 APPROVED: _____

ADAM TECH
 909 Rahway Avenue, Union, NJ 07083
 Phone: 908-687-5000 Fax: 908-687-5710

TITLE: **BNC CONNECTOR PCB MOUNT, 50 OHM**

SIZE: X PART NO.: RF1-07-1-00-50
 REF: SCALE: NTS SHEET 1 OF 1