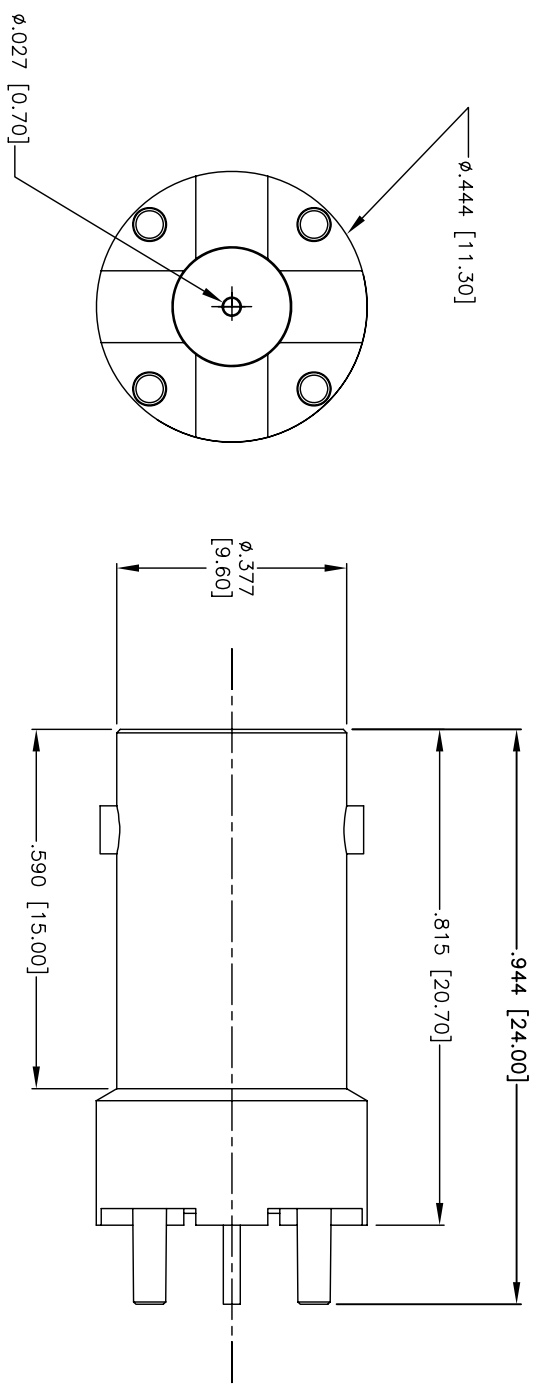


Rev	AWO #	Description	Date	Appr
-	7649	RELEASED	4/13/07	

APPROVED: _____
 DATE: _____ TITLE: _____



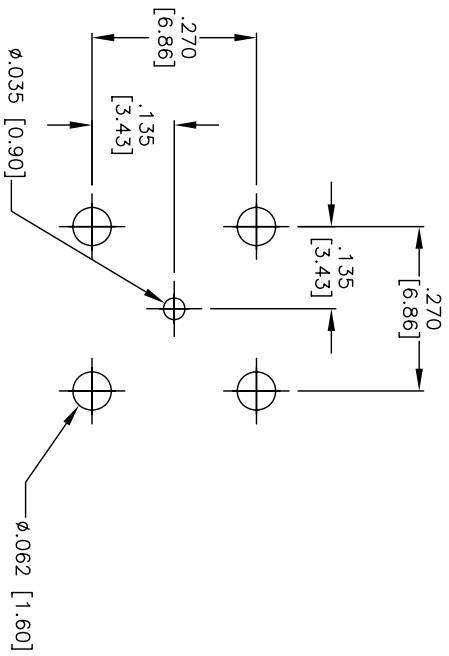
DESCRIPTION	MATERIAL	FINISH	QTY
BODY	ZINC	NICKEL	1
DIELECTRIC	TEFLON	WHITE	1
CENTER PIN	BRASS	GOLD	1
STEEL WIRE	BRASS	GOLD	1

ELECTRICAL SPECIFICATIONS:

Operation Voltage: 500 VAC max.
 Impedance: 75 ohms
 Frequency Range: 0-4 GHz
 Contact Resistance: Inner: 3 mohms max. at DC 1A
 Insulation Resistance: 1000 Mohms (min.) @ 500 VDC
 Dielectric Withstanding Voltage: 1500 VAC (min.) rms
 VSWR: 1.2 max x .0-2GHz
 Interface Per MIL-C-39012C

ENVIRONMENTAL:

Lead free, RoHS compliant.
 Recommended soldering temp: 235°C for 5 sec.



RECOMMENDED P.C.B. LAYOUT

ADAM TECH

909 Rahway Avenue, Union, NJ 07083
 Phone: 908-687-5000 Fax: 908-687-5710

BNC CONNECTOR PCB MOUNT, 75 OHM

UNLESS OTHERWISE SPECIFIED ALL DIMENSIONS ARE MM [INCHES] TOLERANCES: EXCEPT AS NOTED		TITLE	
.X ± .10	ØXX ± .10	SIZE	PART NO.
.XX ± .020	ØXXX ± .015	X	RF1-07B-T-00-75
.XXX ± .015	ØXXXX ± .010	REF:	SCALE: NTS
APPROVALS	DATE	SHEET 1 OF 1	
DRAWN	BW	REV.	
CHECKED		REV.	
APPROVED		REV.	

6 5 4 3 2 1