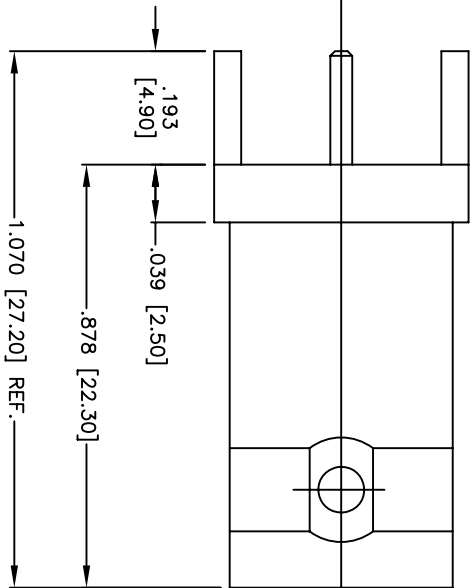
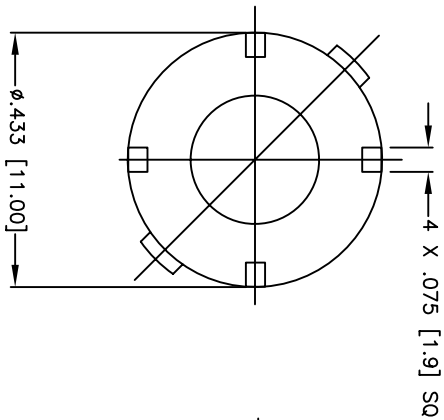


APPROVED: _____
 DATE: _____ TITLE: _____

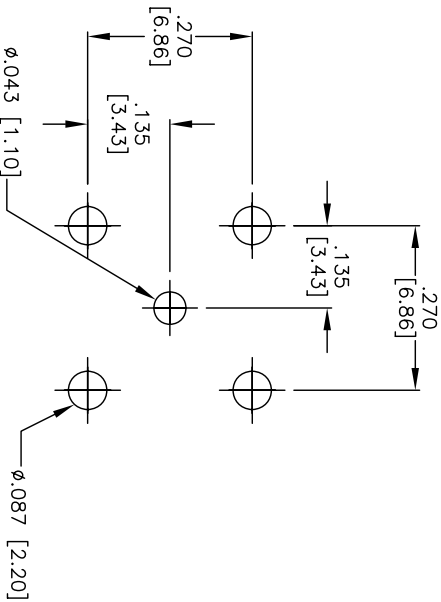
Rev	AWO #	Description	Date	Appr
-	7222	RELEASED	4/19/07	
A		UPDATED TAIL SHAPE	06/04/07	BAS



DESCRIPTION	MATERIAL	FINISH	QTY
BODY	BRASS	NICKEL	1
DIELECTRIC	TEFLON	NONE	1
CENTER PIN	BRASS	GOLD	1
WASHER	IRON	NICKEL	1

ELECTRICAL SPECIFICATIONS:

Operation Voltage: 500 VAC max.
 Impedance: 75 ohms:
 Frequency Range: 0-4 GHz
 Contact Resistance: Inner: 3 mohms max. at DC 1A
 Insulation Resistance: 1000 Mohms (min.) @ 500 VDC
 Dielectric Withstanding Voltage: 1500 VAC (min.) rms
 VSWR: 1.2 max x .0-2GHz
 Interface Per MIL-C-39012C
ENVIRONMENTAL:
 Lead free, RoHS compliant.
 Recommended soldering temp: 235°C for 5 sec.



RECOMMENDED P.C.B. LAYOUT

ADAM TECH

909 Rahway Avenue, Union, NJ 07083
 Phone: 908-687-5000 Fax: 908-687-5710

BNC CONNECTOR PCB MOUNT, 75 OHM

UNLESS OTHERWISE SPECIFIED ALL DIMENSIONS ARE MM [INCHES] TOLERANCES: EXCEPT AS NOTED		HOLE SIZE	
.X	± .10	ØXX	± .10
.XX	± .020	ØXXX	± .015
.XXX	± .015	ØXXXX	± .010
APPROVALS	DATE	DATE	
DRAWN	BW	4/19/07	
CHECKED		SIZE	PART NO.
APPROVED		X	RF1-07C-1-00-75
		REF:	SCALE: NTS
			SHEET 1 OF 1
		REV.	A

6

5

4

3

2

1