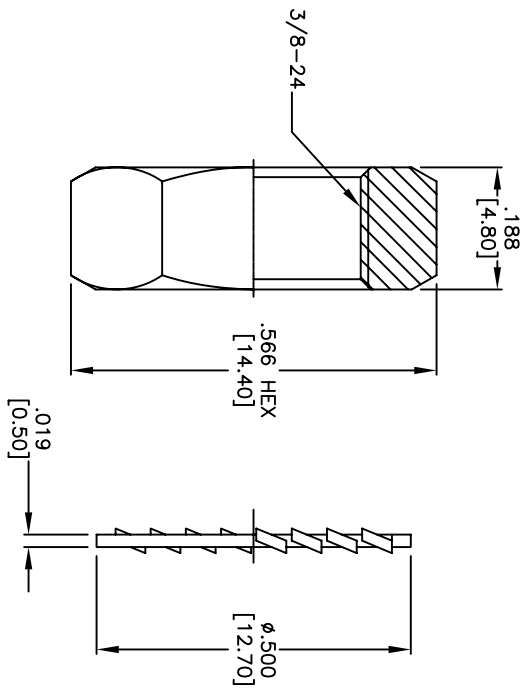
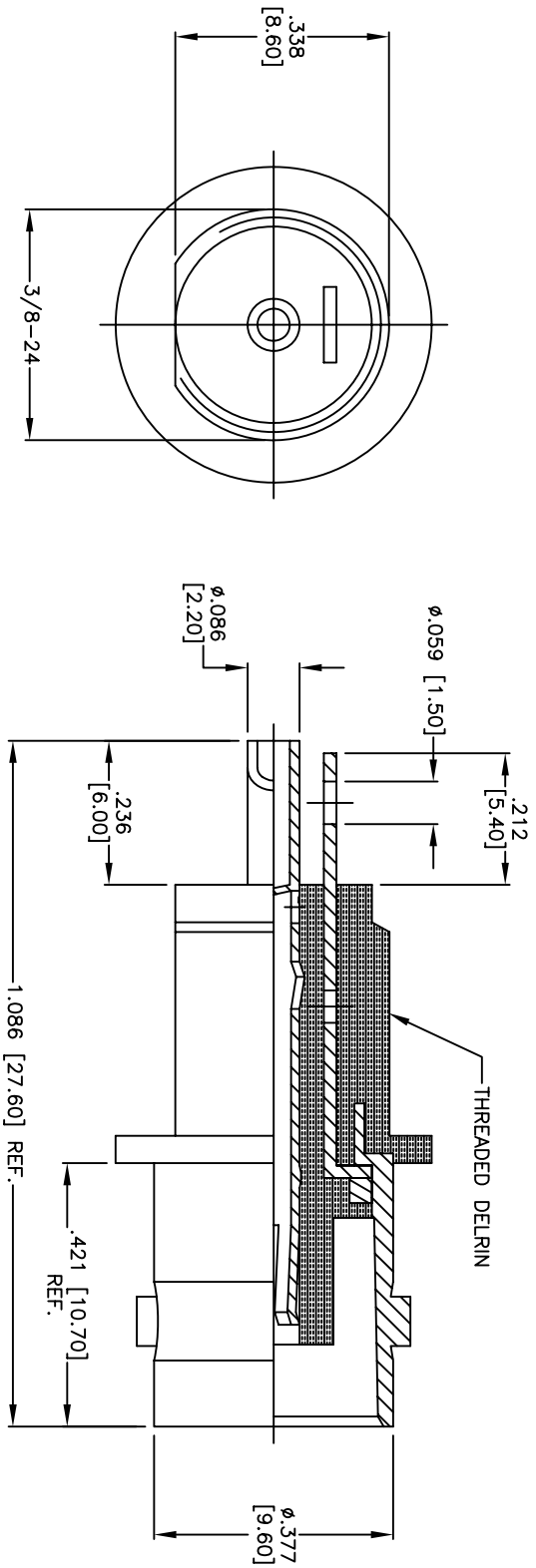


Rev	AWO #	Description	Date	Appr
-	7679	RELEASED	3/28/07	

APPROVED: _____
 DATE: _____ TITLE: _____



DESCRIPTION	MATERIAL	FINISH	QTY
BODY	BRASS	NICKEL	1
INSULATOR	DELRIN	WHITE	1
GROUND RING	BRASS	NICKEL	1
CONTACT PIN	BRASS	GOLD	1
WASHER	BRASS	NICKEL	1
NUT	BRASS	NICKEL	1
WASHER	STEEL	NICKEL	1

ELECTRICAL SPECIFICATIONS:

Operation Voltage: 500 VAC max.
 Impedance: 75 ohms:
 Frequency Range: 0-4 GHz
 Contact Resistance: Inner: 3 mohms max. at DC 1A
 Insulation Resistance: 1000 Mohms (min.) @ 500 VDC
 Dielectric Withstanding Voltage: 1500 VAC (min.) rms
 VSWR: 1.2 max x 0-2GHz
 Interface Per MIL-C-39012C

ENVIRONMENTAL:

Lead free, RoHS compliant.
 Recommended soldering temp: 235°C for 5 sec.



ADAM TECH

909 Rahway Avenue, Union, NJ 07083
 Phone: 908-687-5000 Fax: 908-687-5710

TITLE
**BNC FEMALE ISOLATED
 GROUND BULKHEAD, 75 OHM**

UNLESS OTHERWISE SPECIFIED ALL DIMENSIONS ARE MM [INCHES] TOLERANCES: EXCEPT AS NOTED	
.X	± .10
.XX	± .020
.XXX	± .015
.XXX	± .010
APPROVALS	DATE
DRAWN	BW
CHECKED	
APPROVED	

SIZE	PART NO.	REV.
X	RF1-08-D-00-75	

SCALE: NTS SHEET 1 OF 1

6 5 4 3 2 1