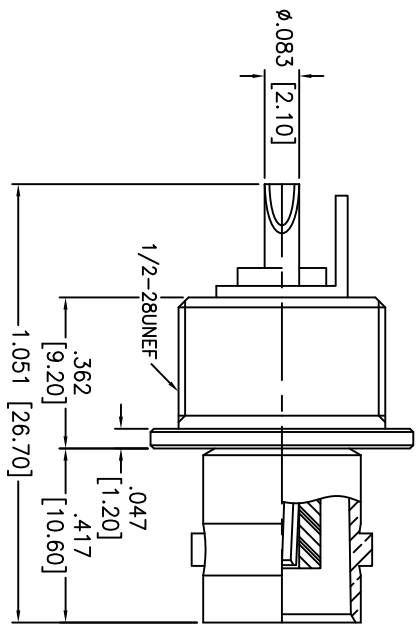
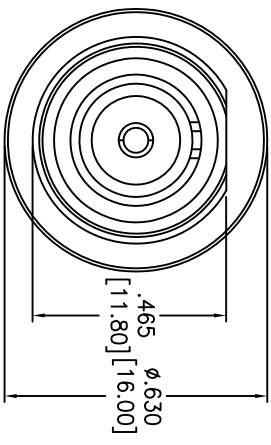
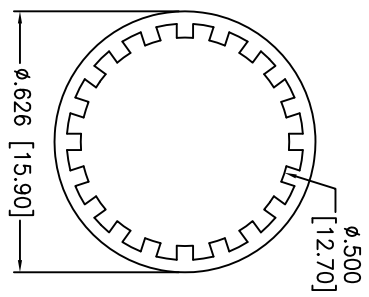
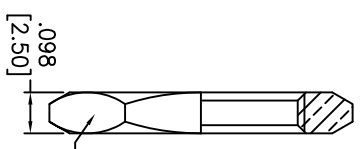
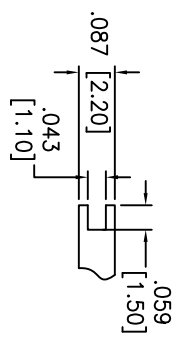
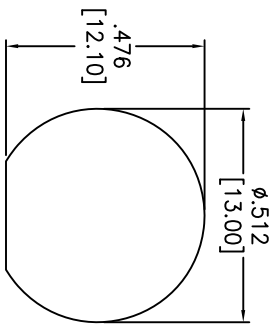


Rev	AWO #	Description	Date	Appr
-		RELEASED	6/24/09	

APPROVED: _____
 DATE: _____ TITLE: _____



NUT	BRASS	NICKEL
WASHER	SS41	NICKEL
CONTACT PIN	PHOSPHOR BRONZE	GOLD
INSULATOR	TEFLON	WHITE
BODY	BRASS	NICKEL
INSULATOR	TEFLON	WHITE
BODY	BRASS	NICKEL
DESCRIPTION	MATERIAL	FINISH

SPECIFICATIONS:

Electrical:
 Impedance: 50 ohms
 Frequency range: 0-4 GHz
 Working Voltage: 500 VRMS max.
 Dielectric Withstanding Voltage: 1500 VRMS min.
 Contact Resistance: 3 Milliohms max. (Center Contact)
 2 Milliohms max. (Outer Contact)
 Insulator Resistance: 5000 Megohms min.
 Environmental:
 Lead free, RoHS compliant.



UNLESS OTHERWISE SPECIFIED
 ALL DIMENSIONS ARE INCHES [MM]
 TOLERANCES: EXCEPT AS NOTED
 INCHES HOLES
 .X ± .10 Ø.X ± .10
 .XX ± .020 Ø.XXX ± .015
 .XXX ± .015 Ø.XXXX ± .010

ADAM TECH
 909 Rahway Avenue, Union, NJ 07083
 Phone: 908-687-5000 Fax: 908-687-5710

BNC ISOLATED BULKHEAD RECEPT JACK

APPROVALS	DATE
DRAWN DY	6/24/09
CHECKED	
APPROVED	

SIZE	PART NO.	REV.
X	RF1-08-T-14-50	
REF: S00049T	SCALE: NTS	SHEET 1 OF 1