

Rev	AWO #	Description	Date	Appr
-	12196	RELEASED	1/16/13	

6

5

4

3

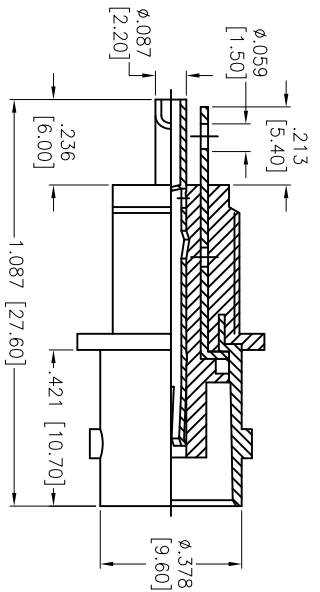
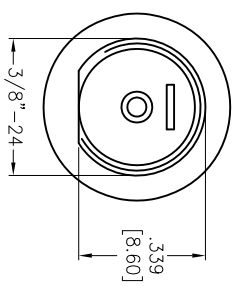
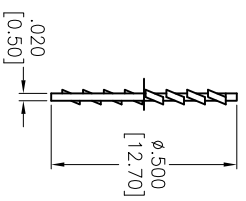
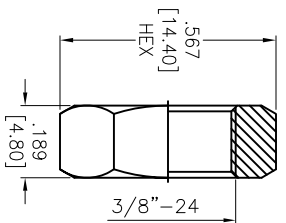
2

1

APPROVED: _____

DATE: _____ TITLE: _____

D



C

C

B

B

WASHER	STEEL	NICKEL
NUT	BRASS	NICKEL
GROUND RING	BRASS	NICKEL
CONTACT PIN	BRASS	GOLD
INSULATOR	DELRIN	WHITE
BODY	BRASS	NICKEL
DESCRIPTION	MATERIAL	FINISH

SPECIFICATIONS:**Electrical:**

Nominal Impedance: 50 ohms
 Frequency range: 0-4 GHz
 Maximum peak voltage: 500V
 Insulation resistance: 5000 Mohm min @ 500 VDC
 Dielectric withstanding voltage: 1500 VAC rms
 Environmental:
 Lead free, RoHS compliant.



UNLESS OTHERWISE SPECIFIED
 ALL DIMENSIONS ARE INCHES [MM]
 TOLERANCES: EXCEPT AS NOTED
 INCHES HOLES
 .X ± .10 Ø.X ± .10
 .XX ± .020 Ø.XXX ± .015
 .XXX ± .015 Ø.XXXX ± .010

ADAM TECH
 909 Ratway Avenue, Union, NJ 07083
 Phone: 908-687-5000 Fax: 908-687-5710

A

A

APPROVALS		DATE
DRAWN	AY	1/16/13
CHECKED	NP	1/16/13
APPROVED		

TITLE	BNC FEMALE ISOLATED GROUND BULKHEAD, 50 OHM	
SIZE	PART NO.	REV.
X	RF1-08A-D-00-50-HDW	-
REF:	S00049T	SHEET 1 OF 1
SCALE:	NTS	

6

5

4

3

2

1