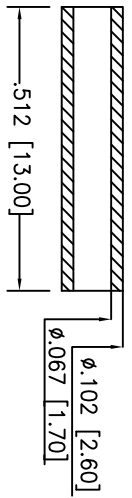
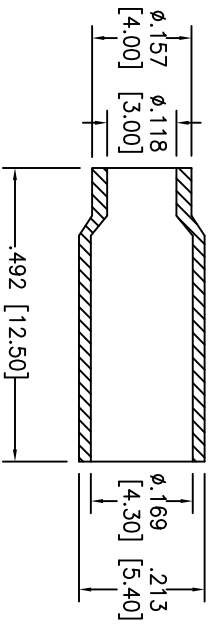
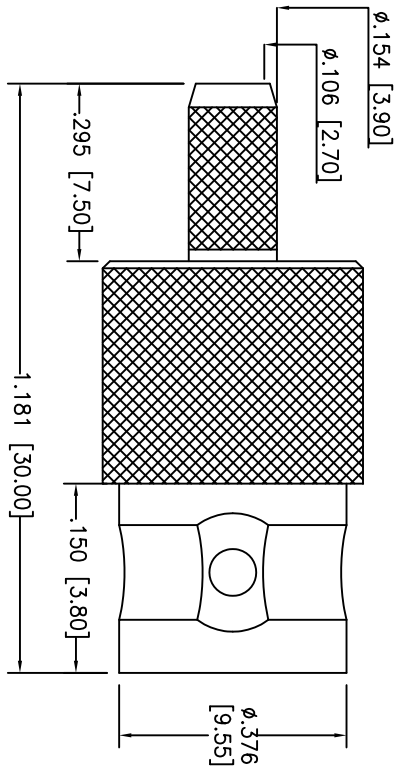
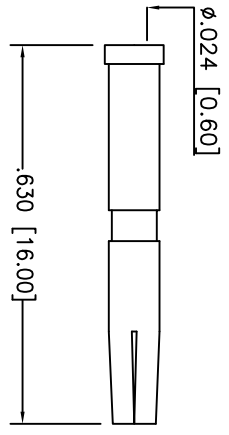


Rev	AWO #	Description	Date	Appr
-	9660	RELEASED	7/23/09	

APPROVED: _____
 DATE: _____ TITLE: _____



DESCRIPTION	MATERIAL	FINISH	QTY
PRESS FIT WASHER	BRASS	NICKEL	1
DIELECTRIC	TEFLON	NONE	1
PIN	BRASS	GOLD	1
BODY	BARSS	NICKEL	1

SPECIFICATIONS:

Electrical:
 Impedance: 75 ohms
 Frequency range: 0-4 GHz
 Working Voltage: 500 VRMS max.
 Dielectric Withstanding Voltage: 1500 VRMS min.
 Contact Resistance: 3 Milliohms max. (Center Contact)
 2 Milliohms max. (Outer Contact)
 Insulation Resistance: 5000 Megohms min
 Environmental:
 Lead free, RoHS compliant.

ADAM TECH

909 Rahway Avenue, Union, NJ 07083
 Phone: 908-687-5000 Fax: 908-687-5710

BNC FEMALE CRIMP FOR RG179

UNLESS OTHERWISE SPECIFIED
 ALL DIMENSIONS ARE INCHES [MM]
 TOLERANCES: EXCEPT AS NOTED
 INCHES HOLES
 .X ±.10 Ø.X ±.10
 .XX ±.020 Ø.XX ±.015
 .XXX ±.015 Ø.XXX ±.010

APPROVALS	DATE
DRAWN	DY
CHECKED	
APPROVED	

SIZE	PART NO.	REV.
X	RF1-19-D-03-75	
REF: S0049T	SCALE: NTS	SHEET 1 OF 1