

6

5

4

3

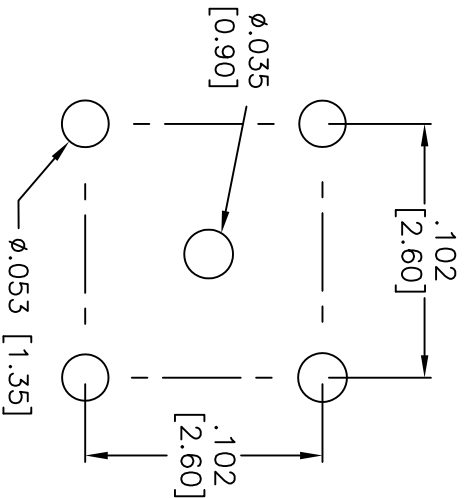
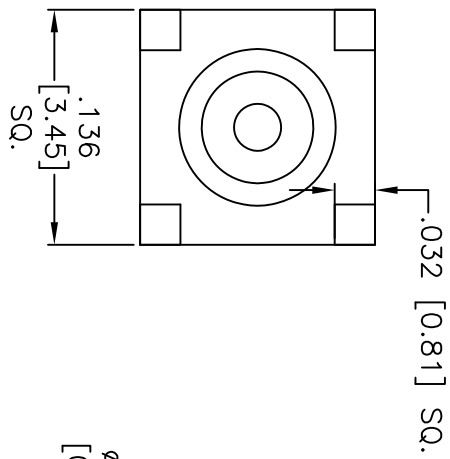
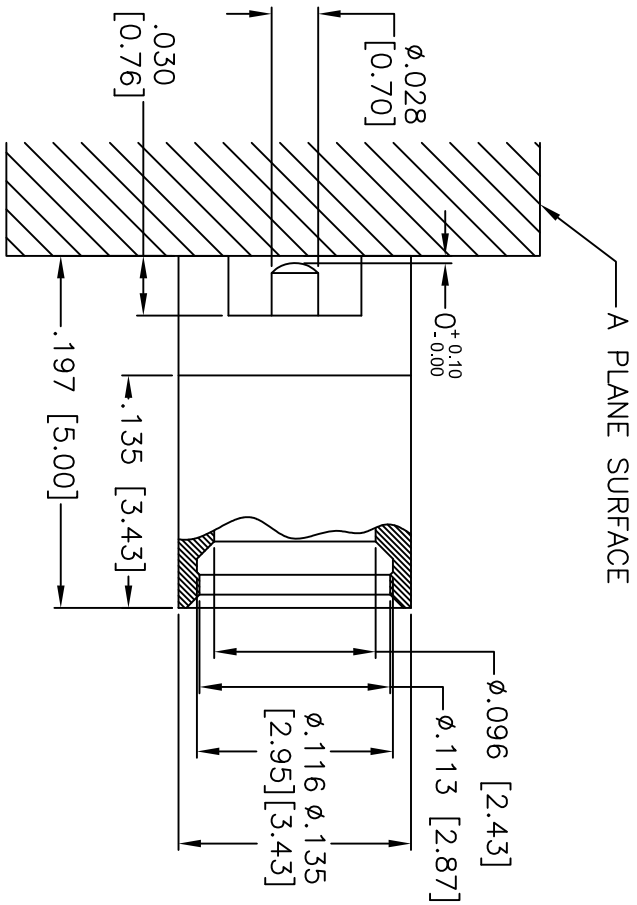
2

1

APPROVED: _____

DATE: _____ TITLE: _____

Rev	AWO #	Description	Date	Appr
-		RELEASED	12/16/05	
A		GENERAL REVISION	04/03/06	
B		SPEC. ADDED	04/04/06	
C		INSIDE DIMENSIONS ADDED	07/02/07	BAS
D		REVISED DIM.	05/15/08	
E		ADD DECA BDE/ HALOGEN FREE TO SPECS	6/11/08	
F		REVISED DIM.	7/31/08	
G		REVISED DIM.	4/09/10	



NO	Description	Qty	Material	Finish
3	PIN	1	BERYLLIUM COPPER	GOLD
2	INSULATOR	1	TEFLON	NONE
1	BODY	1	BRASS	GOLD

SPECIFICATIONS:

Electrical:
 Operating voltage: 170 VAC max
 Current rating: 1.3 Amps max
 Contact resistance: 5 Milliohms max
 Insulation resistance: 1000 Mohms min
 Impedance: 50 ohm
 Frequency Range: 0-6 GHz
 Dielectric withstanding voltage: 500 VAC for 1 minute

Temperature Rating:
 Operating temperature: -65°C to +125°C

Mechanical:
 Durability: 500 cycles min.
 Contact retention: 2.3 lbs.
 Engagement force: 3.4 lbs. max
 Disengagement force: 1.4 lbs.- 3.4 lbs.

Environmental:
 Deca BDE - Halogen Free
 Lead free, RoHS compliant.
 Recommended soldering temp: 235°C for 5 sec.

ADAM TECH

909 Rahway Avenue, Union, NJ 07083
 Phone: 908-687-5000 Fax: 908-687-0214

RF CONNECTOR, TYPE MMCK,
 VERTICAL, 50 OHM, PCB MOUNT

UNLESS OTHERWISE SPECIFIED ALL DIMENSIONS ARE MM [INCHES] TOLERANCES: EXCEPT AS NOTED	
INCHES	HOLDS
.X ± .10	ØX ± .10
.XX ± .020	ØXX ± .015
.XXX ± .015	ØXXX ± .010
APPROVALS	DATE
DRAWN	SLS
CHECKED	
APPROVED	

SIZE	PART NO.	REV.
X	RF12-04-T-00-50-G	G
REF:	SCALE: NTS	SHEET 1 OF 1

6

5

4

3

2

1