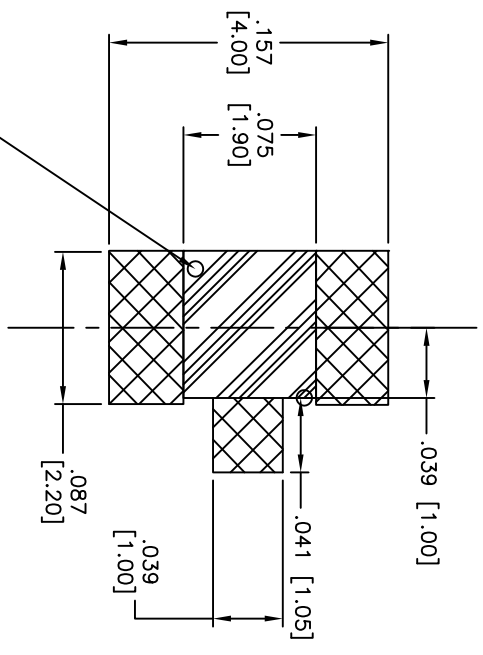
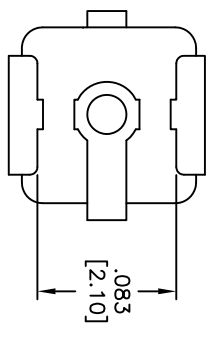
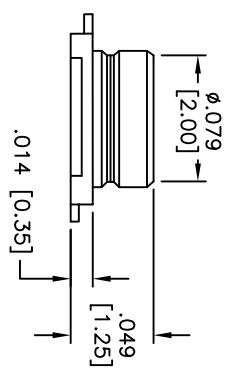
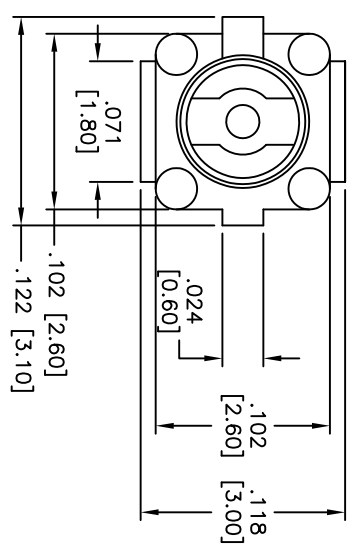


Rev	AWO #	Description	Date	Appr
-		RELEASED	7/08/05	
A		REDRAWING	6/02/08	
B		REVISED DIM.	3/2/12	

APPROVED: _____ TITLE: _____
 DATE: _____



No Pattern Area
 Recommended PCB Layout

SPECIFICATIONS:

Material:
 Insulator: LCP, rated UL 94V-0
 Insulator color: White
 Ground Contact: Phosphor Bronze, Gold plated
 Contacts: Brass, Gold plated.

Electrical:
 Nominal Impedance: 50 ohms.
 Voltage rating: 60 VAC.
 Contact resistance: 20 mohms max.
 Insulation resistance: 500 Mohms min DC 100V.
 Dielectric withstanding voltage: 200 VAC for 1 minute

Temperature Rating:
 Operating temperature: -40°C to +90°C

Environmental:
 Lead free, RoHS compliant.



ADAM TECH

909 Railway Avenue, Union, NJ 07083
 Phone: 908-687-5000 Fax: 908-687-5710

TITLE
 RF CONNECTOR, TYPE MHF, 50 OHMS
 VERTIACL

UNLESS OTHERWISE SPECIFIED ALL DIMENSIONS ARE INCHES [MM]	
TOLERANCES: EXCEPT AS NOTED	
INCHES	HOLDS
.X ± .10	ØX ± .10
.XX ± .020	ØXX ± .015
.XXX ± .015	ØXXX ± .010
APPROVALS	DATE
DRAWN	SS
CHECKED	7/08/05
APPROVED	

SIZE	PART NO.	REV.
X	RF20-01-P-00-50-G	B
REF:	S00011T	
SCALE:	NTS	
SHEET	1 OF 1	