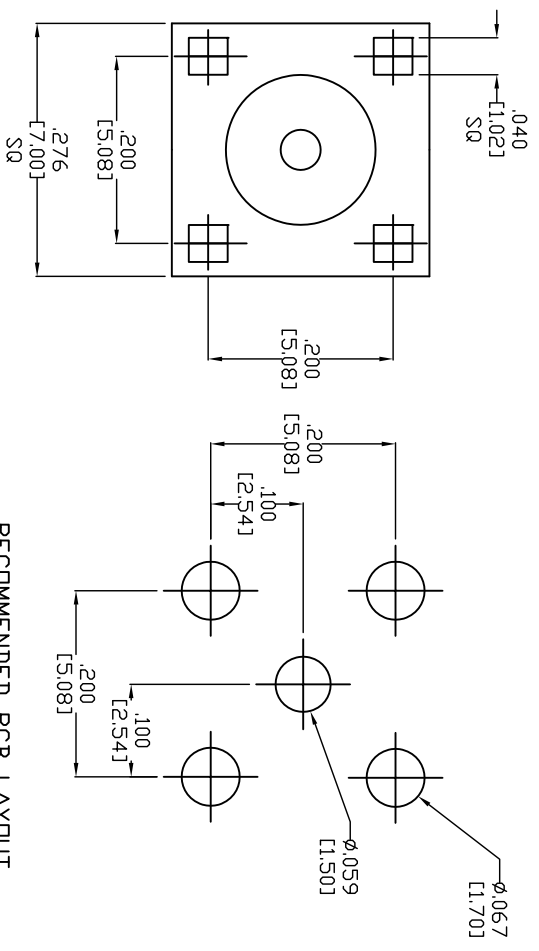
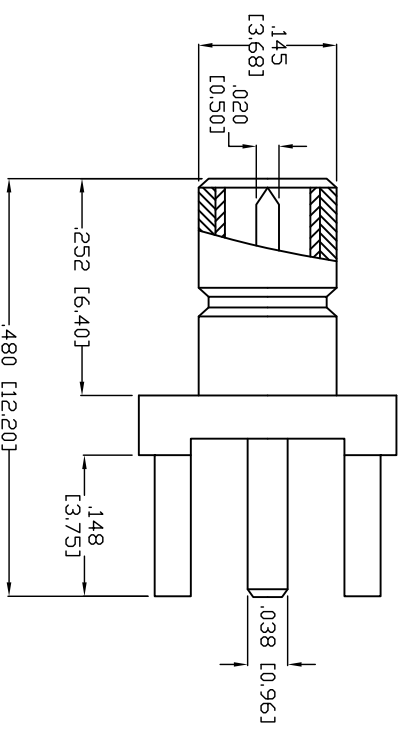


APPROVED: _____
 DATE: _____ TITLE: _____

Rev	AWO #	Description	Date	Appr
-	7736	RELEASED	5/8/07	
A		REDRAWN	12/22/11	



RECOMMENDED PCB LAYOUT

PIN	BRASS	GOLD
INSULATOR	TEFLON	
BODY	BRASS	GOLD
DESCRIPTION	MATERIAL	FINISH

SPECIFICATIONS:

Electrical:

Nominal Impedance: 50 ohms
 Frequency range: 8 GHz
 Working Voltage: 170 VRMS max.
 Dielectric Withstanding Voltage: 750 VRMS min.
 Contact Resistance: 5.0 Milliohms. (Center Contact)
 2.5 Milliohms. (Outer Contact)
 Insulator Resistance: 1000 Megohms.
Environmental:
 Lead free, RoHS compliant.

UNLESS OTHERWISE SPECIFIED
 ALL DIMENSIONS ARE INCHES [MM]
 TOLERANCES: EXCEPT AS NOTED
 INCHES: .X ± .10 ØXX ± .015
 .XX ± .020 ØXXX ± .010
 .XXX ± .015
 APPROVALS: _____ DATE: _____

ADAM TECH

909 Railway Avenue, Union, NJ 07083
 Phone: 908-687-5000 Fax: 908-687-5710

RF CONNECTOR, TYPE SMB FEMALE,
 FEMALE, PCB, 50 OHM

DRAWN	BW	5/8/07
CHECKED		
APPROVED		

SIZE	PART NO.	REV.
X	RF3-05-T-00-50-G	A
REF:	S00049T	SHEET 1 OF 1
SCALE:	NTS	