

6

5

4

3

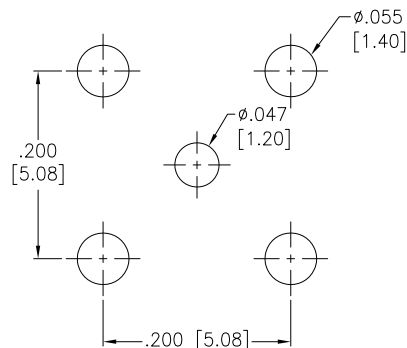
2

1

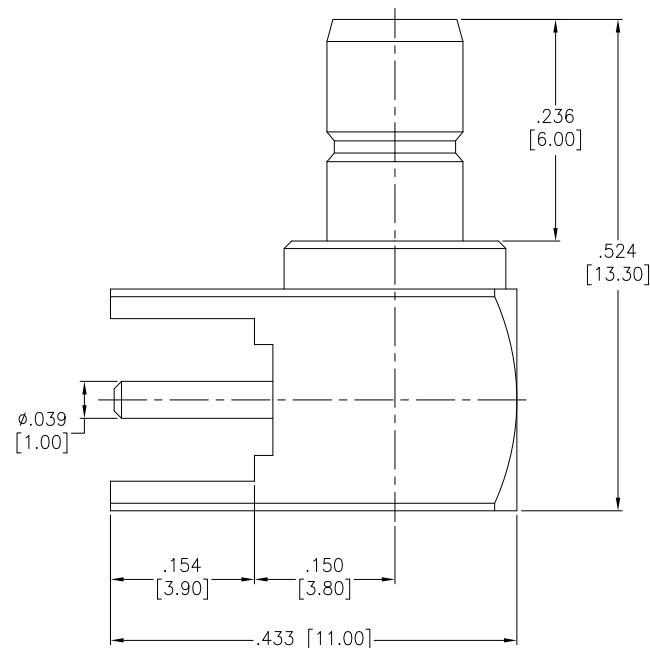
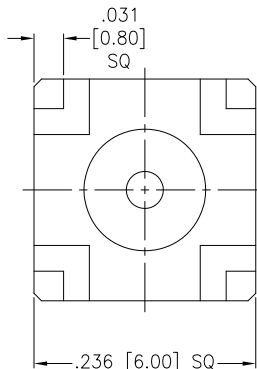
APPROVED: _____

DATE: _____ TITLE: _____

Rev	AWO #	Description	Date	Appr
-	9114	RELEASED	11/04/08	
A		REVISED DIM.	12/11/08	
B		REDRAWN	4/20/16	AY/LW



RECOMMENDED PCB LAYOUT



INSULATOR	PTFE	WHITE
HOUSING	BRASS	GOLD
CONTACT PIN	BRASS	GOLD
INSULATOR	PTFE	WHITE
BODY	BRASS	GOLD
DESCRIPTION	MATERIAL	FINISH

SPECIFICATIONS:

Electrical:
 Nominal Impedance: 50 ohms
 Frequency range: 0-4 GHz
 Working Voltage: 335 VOLTS Max
 Proof Voltage: 1000 VOLTS
 Temperature Rating:
 Operating temperature: -65°C to +165°C
 Environmental:
 Lead free, RoHS compliant.



UNLESS OTHERWISE SPECIFIED
 ALL DIMENSIONS ARE INCHES [MM]
 TOLERANCES: EXCEPT AS NOTED
 INCHES HOLES

.X ± .10	∅X ± .10
.XX ± .020	∅XX ± .015
.XXX ± .015	∅XXX ± .010

ADAM TECH

909 Rahway Avenue, Union, NJ 07083
 Phone: 908-687-5000 Fax: 908-687-5710

APPROVALS		DATE
DRAWN	DY	11/04/08
CHECKED		
APPROVED		

TITLE	
SMB JACK R/A PCB MOUNT	

SIZE	PART NO.	REV.
X	RF3-06-T-00-50-G	B

REF:	SCALE:	SHEET
S00277T	NTS	1 OF 1

6

5

4

3

2

1