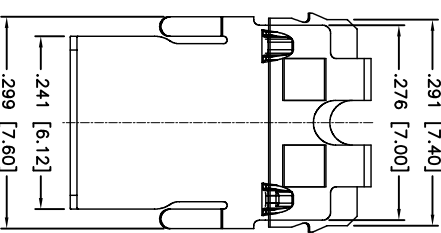
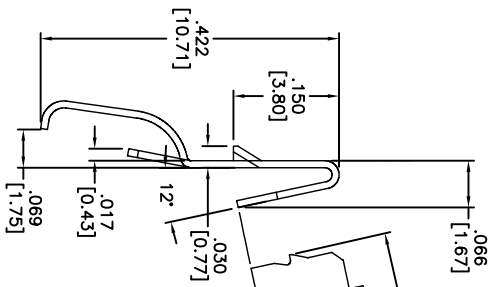
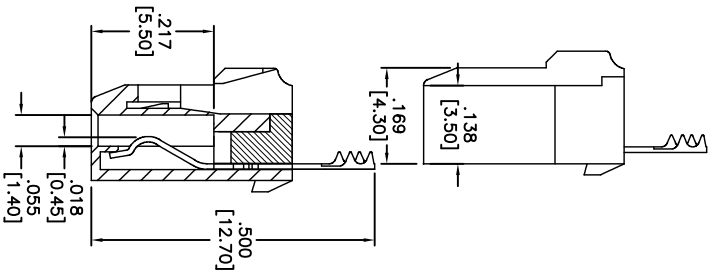
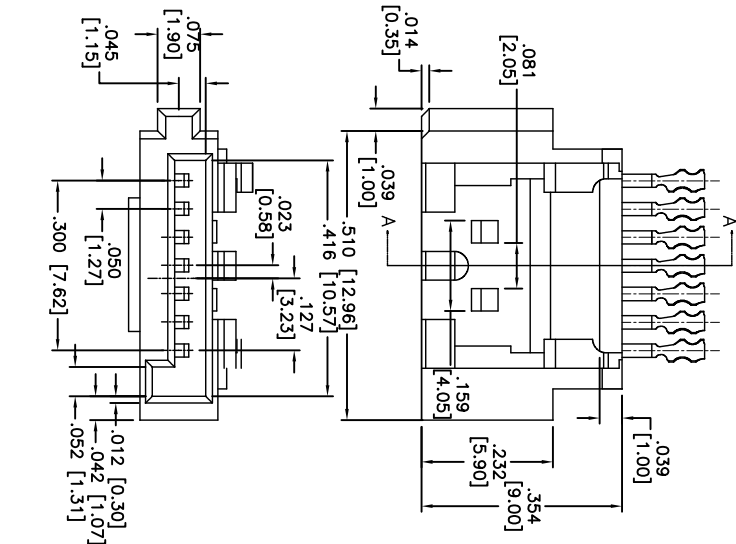


Rev	AWO #	Description	Date	Appr
-		RELEASED	10/16/12	

APPROVED: \_\_\_\_\_  
 DATE: \_\_\_\_\_ TITLE: \_\_\_\_\_



SHORT LATCH

SPECIFICATIONS:  
 Material: Insulator: Hi-temp thermoplastic, rated UL 94V-0  
 Insulator color: Black  
 Contacts: Copper Alloy  
 Short Latch: Stainless steel  
 Plating: Gold flash over Nickel underplate on mating area, Tin over Copper underplate on tails  
 Electrical: Current rating: 1.5A @40V AC  
 Contact resistance: 30 mohms max  
 Insulation resistance: 1,000 Mohms min  
 Dielectric withstanding voltage: 500 VAC for 1 minute  
 Environmental: Lead free, RoHS compliant

Environmental: Lead free, RoHS compliant

Environmental: Lead free, RoHS compliant

Environmental: Lead free, RoHS compliant

Environmental: Lead free, RoHS compliant

Environmental: Lead free, RoHS compliant

Environmental: Lead free, RoHS compliant

Environmental: Lead free, RoHS compliant

UNLESS OTHERWISE SPECIFIED ALL DIMENSIONS ARE INCHES [MM]	
TOLERANCES: EXCEPT AS NOTED	
INCHES	
.X ± .10	Ø.X ± .10
.XX ± .020	Ø.XX ± .015
.XXX ± .015	Ø.XXX ± .010
APPROVALS	DATE
DRAWN AY	10/16/12
CHECKED AH	10/16/12
APPROVED	

**ADAM TECH**  
 909 Ratway Avenue, Union, NJ 07083  
 Phone: 908-687-5000 Fax: 908-687-5710

TITLE: SATA CONNECTOR, 7P, FEMALE, W/ LATCH  
 OVER MOLDING TYPE

REF:	SIZE	PART NO.	SCALE:	SHEET	REV.
S00075C	X	SATA-A-7P-F-OM	NTS	1 OF 1	

6 5 4 3 2 1

