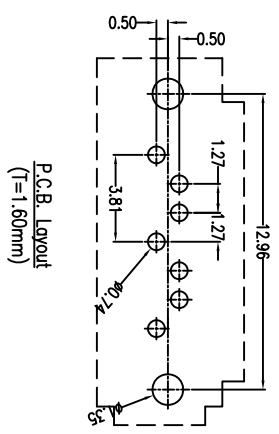
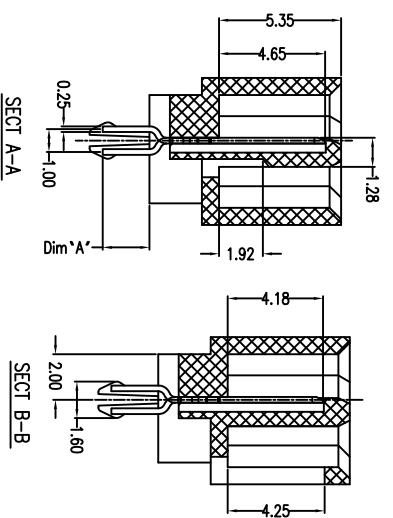
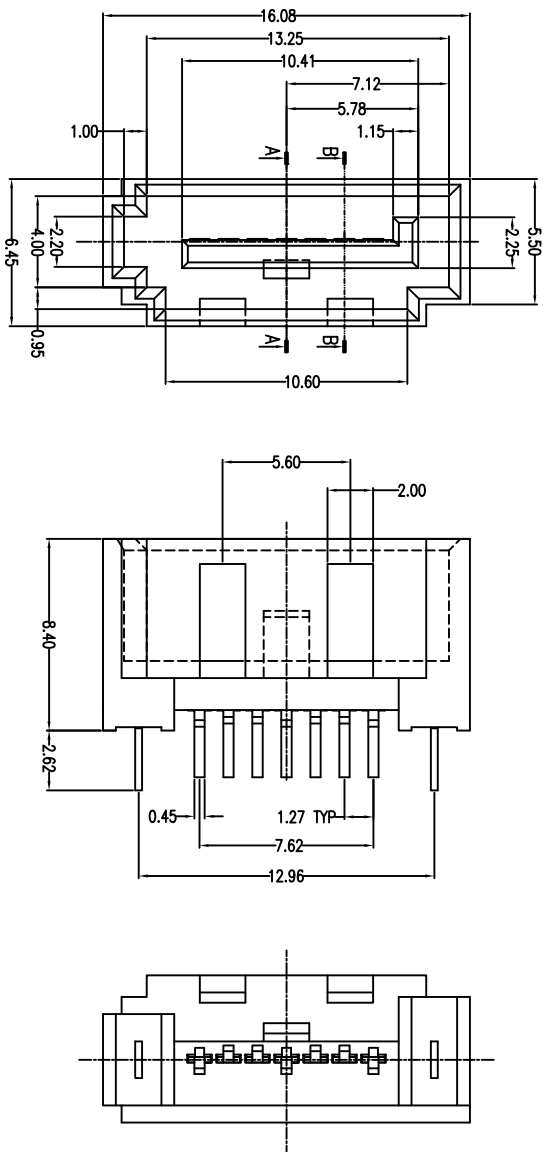


Rev	AWO #	Description	Date	Appr
-		RELEASED	2/16/06	

APPROVED: \_\_\_\_\_ TITLE: \_\_\_\_\_  
 DATE: \_\_\_\_\_



**SPECIFICATIONS:**

- Material: Insulator: LCP, rated UL 94V-0
- Insulator color: Black
- Contacts: Brass
- Shell: Steel, Nickel plated
- Plating: Gold flush over Nickel underplate on mating area, Tin over Copper underplate on tails
- Electrical:
  - Operating voltage: 30 VAC max
  - Current rating: 1.5 Amps max
  - Contact resistance: 30 mohms max
  - Insulation resistance: 1,000 Mohms min @ 500 VAC
  - Dielectric withstanding voltage: 500 VAC for 1 minute
- Mechanical:
  - Insertion force: 45N max.
  - Withdrawal force: 10N min.
  - Durability: 500 cycles
  - Temperature Rating: Operating temperature: -55°C to +125°C
  - Environmental: Lead free, RoHS compliant
  - Recommended soldering temp: 260°C for 5 seconds



**ADAM TECH**

909 Railway Avenue, Union, NJ 07083  
 Phone: 908-687-5000 Fax: 908-687-5710

TITLE: SERIAL ATA CONNECTOR, TYPE A  
 LEFT POLARIZATION, VERTICAL, KEYED

UNLESS OTHERWISE SPECIFIED ALL DIMENSIONS ARE INCHES [MM]		TOLERANCES ARE NOTED INCHES		Holes	
.X	± .10	ØXX	± .10	ØXXX	± .015
.XX	± .020	ØXXX	± .015	ØXXX	± .010
.XXX	± .015	ØXXX	± .010		
APPROVALS		DATE		DATE	
DRAWN	SS	2/16/06			
CHECKED					
APPROVED					
SIZE	PART NO.	SCALE: NTS		SHEET 1 OF 1	
X	SATAA-PL-VT-K				
REV.					