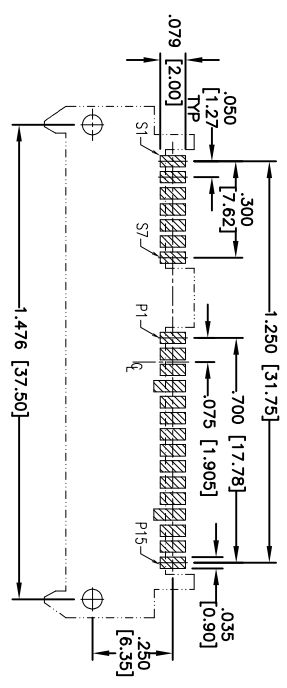
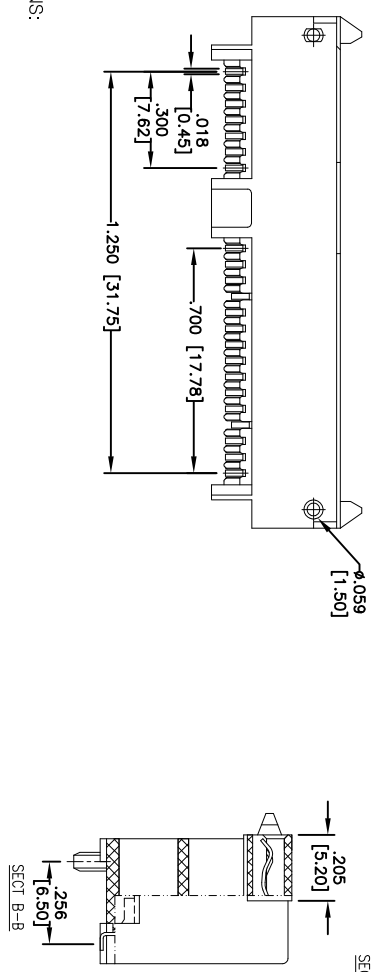
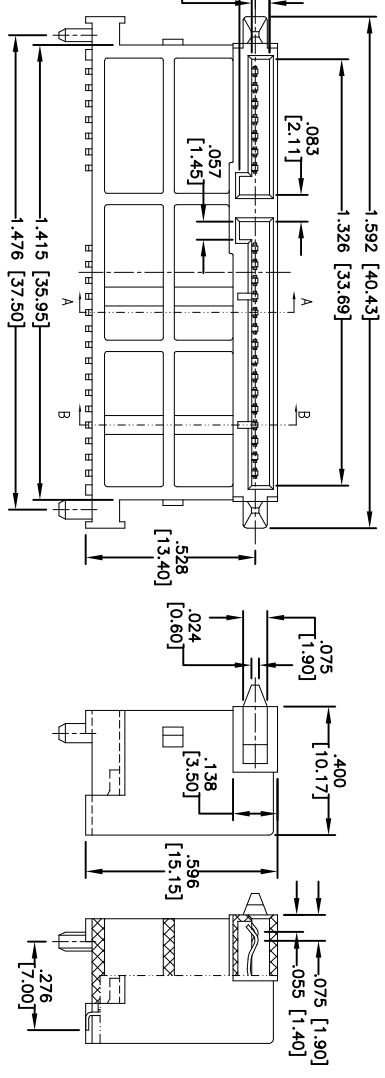
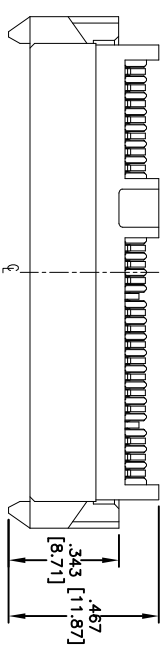


APPROVED: \_\_\_\_\_  
 DATE: \_\_\_\_\_ TITLE: \_\_\_\_\_

Rev	AWO #	Description	Date	Appr
-		RELEASED	8/1/11	

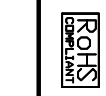


RECOMMENDED PCB LAYOUT

Signal Segment		Power Segment	
Name	Type	Name	Type
S1	GND	P1	V33
S2	A+	P2	V33
S3	A-	P3	V33
S4	B-	P4	GND
S5	B+	P5	GND
S6	B+	P6	GND
S7	GND	P7	V5
		P8	V5

**SPECIFICATIONS:**  
 Material: \_\_\_\_\_  
 Insulator color: Black  
 Contacts: Phosphor Bronze  
 Plating: \_\_\_\_\_  
 15u" Gold Flash over Nickel underplate on contact area,  
 Tin over Copper underplate on solder tails

**Electrical:**  
 Current rating: 1.5 Amps per contact  
 Contact resistance: 30 mohms max  
 Insulation resistance: 1,000 Mohms min  
 Dielectric withstanding voltage: 500 VAC for 1 minute  
 Temperature Rating: \_\_\_\_\_  
 Operating temperature: -55°C to +85°C  
 Environmental: \_\_\_\_\_  
 Lead free, RoHS compliant  
 Recommended soldering temp: 260°C for 5 sec.



APPROVALS		DATE
DRAWN	AY	8/1/11
CHECKED	RC	8/1/11
APPROVED		

**ADAM TECH**  
 909 Railway Avenue, Union, NJ 07083  
 Phone: 908-687-5000 Fax: 908-687-5710

TITLE: SATA CONNECTOR, 7P + 15P, SMT TYPE, FEMALE

REF: S00078T	SCALE: NTS	SHEET 1 OF 1
--------------	------------	--------------