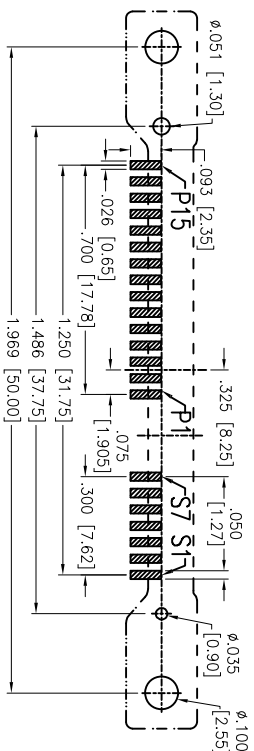
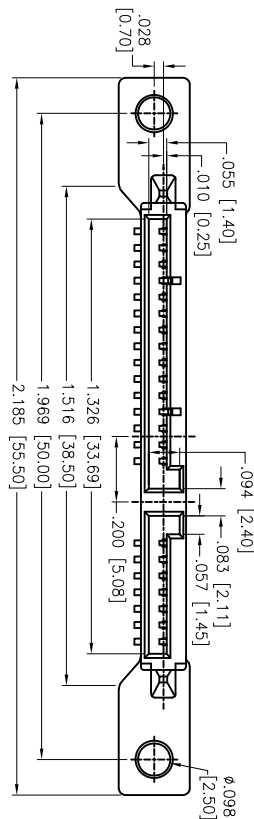
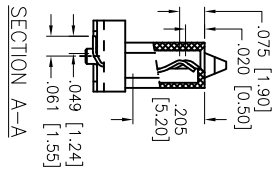
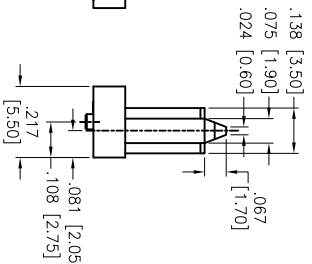
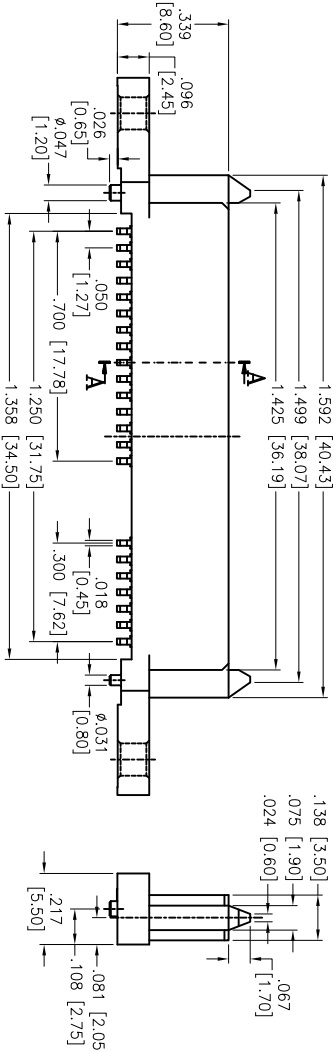


Rev	AWO #	Description	Date	Appr
-		RELEASED	02/01/12	

APPROVED: _____ TITLE: _____
 DATE: _____



RECOMMENDED PCB LAYOUT



Signal Segment	Power Segment
S1	P1
S2	P2
S3	P3
S4	P4
S5	P5
S6	P6
S7	P7
	P8
	P9
	P10
	P11
	P12
	P13
	P14
	P15
	V12
	V12

Signal Segment	Power Segment
S1	P1
S2	P2
S3	P3
S4	P4
S5	P5
S6	P6
S7	P7
	P8
	P9
	P10
	P11
	P12
	P13
	P14
	P15
	V12
	V12

SPECIFICATIONS:

- Material: Insulator: LCP, glass reinforced, rated UL 94V-0
- Insulator color: Black
- Contacts: Phosphor Bronze
- Harpoon: Brass
- Plating: 15u" Gold over Nickel underplate in contact area, Tin over Copper underplate on tails
- Electrical: Current rating: 1.5 Amps max
- Contact resistance: 30 Mohms max
- Insulation resistance: 1,000 Mohms min @ 500 VDC
- Dielectric withstanding voltage: 500 VAC for 1 minute
- Temperature Rating: Operating temperature: -55C to +85C
- Environmental: Lead free, RoHS compliant
- Recommended soldering temp: 260°C for 5 seconds

ADAM TECH

909 Railway Avenue, Union, NJ 07083
 Phone: 908-687-5000 Fax: 908-687-5710

TITLE: SATA CONNECTOR, 7P + 15P + 7P, SMT TYPE, FEMALE, 15u" GOLD PLATED, WITH FLANGE

UNLESS OTHERWISE SPECIFIED ALL DIMENSIONS ARE INCHES [MM]	
TOLERANCES EXCEPT AS NOTED	
INCHES	HOLES
.X ± .10	ØX ± .10
.XX ± .020	ØXX ± .015
.XXX ± .015	ØXXX ± .010
APPROVALS	DATE
DRAWN TW	02/01/12
CHECKED AY	02/01/12
APPROVED	

SIZE X	PART NO. SAT1A-A13-PM-SMT-P-E-15	REV. -
REF: S00078T	SCALE: NTS	SHEET 1 OF 1

