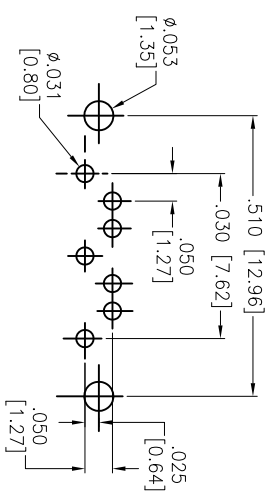
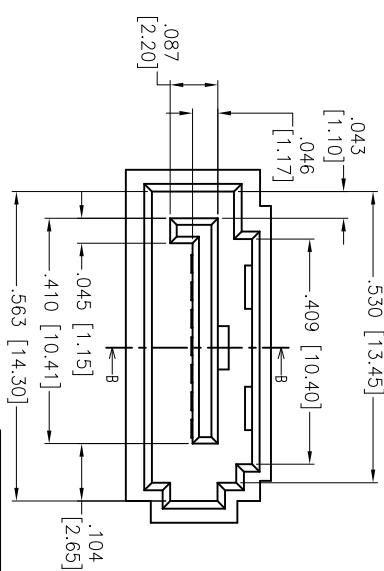
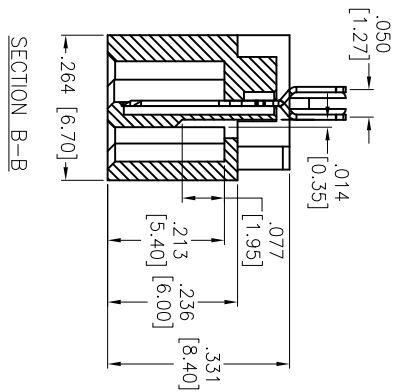
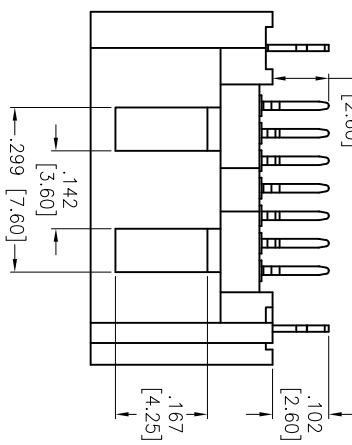
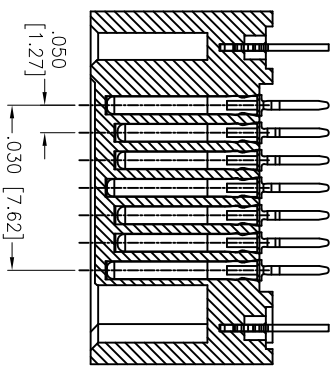
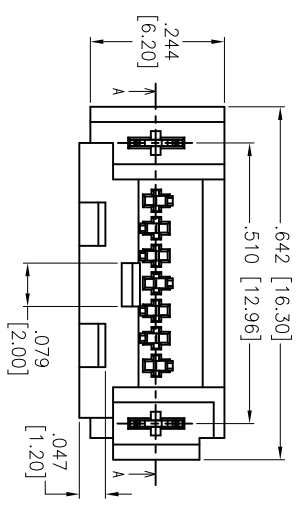


| Rev | AWO # | Description | Date | Appr |
|-----|-------|-------------|----------|------|
| - | | RELEASED | 10/20/14 | |

APPROVED: _____
 DATE: _____ TITLE: _____



RECOMMENDED PCB LAYOUT

ADAM TECH

909 Railway Avenue, Union, NJ 07083
 Phone: 908-687-5000 Fax: 908-687-5710

TITLE: SERIAL ATA CONNECTOR, TYPE B
 LEFT POLARIZATION, VERTICAL, KEYPED

SPECIFICATIONS:
 Material: Insulator: Hi-Temp Thermoplastic, rated UL 94V-0
 Insulator color: Black
 Contacts: Copper Alloy
 Plating: Gold flash over Nickel underplate on mating area, Tin over Copper underplate on PCB tails
 Electrical: Contact resistance: 30 mohms max
 Insulation resistance: 1,000 Mohms min @ 500 VAC
 Dielectric withstanding voltage: 500 VAC for 1 minute
 Mechanical: Insertion force: 45N max.
 Withdrawal force: 10N min.
 Environmental: Lead free, RoHS compliant



| | |
|---|--------------|
| UNLESS OTHERWISE SPECIFIED ALL DIMENSIONS ARE IN INCHES [MM] | |
| TOLERANCES: EXCEPT AS NOTED | |
| INCHES | HOLDS |
| .X ± .10 | ØXX ± .10 |
| .XX ± .020 | ØXXX ± .015 |
| .XXX ± .015 | ØXXXX ± .010 |
| APPROVALS | |
| DRAWN | HR |
| CHECKED | NP |
| DATE | DATE |
| 10/20/14 | 10/20/14 |

| | | |
|--------------|------------------|--------------|
| REF: S00075C | SCALE: NTS | SHEET 1 OF 1 |
| SIZE | PART NO. | REV. |
| X | SATA-A16-PL-VT-K | - |