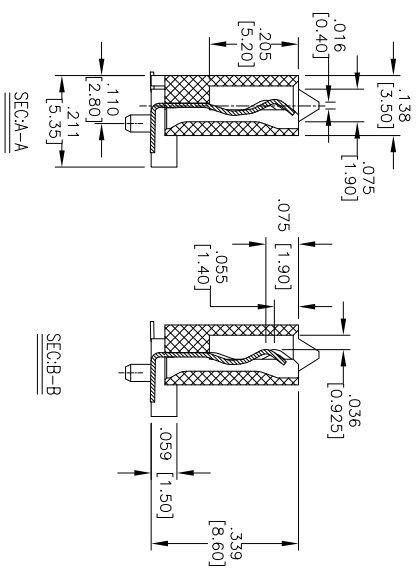
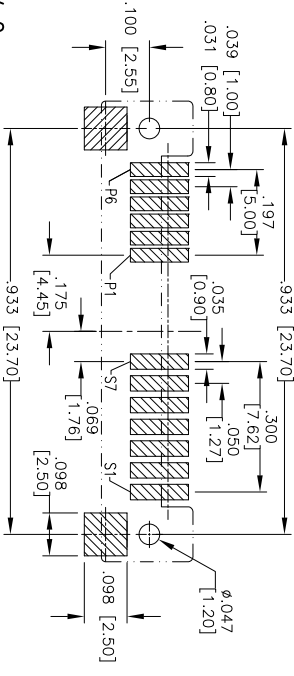
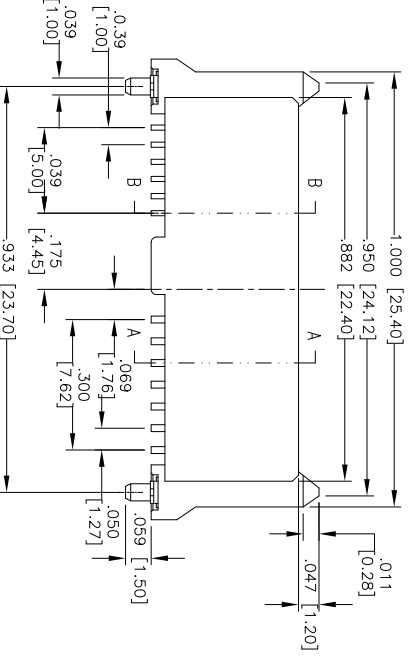
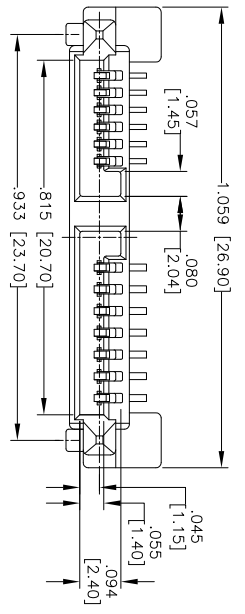


APPROVED: \_\_\_\_\_  
 DATE: \_\_\_\_\_ TITLE: \_\_\_\_\_



**SPECIFICATIONS:**

Material: Insulator: LCP, rated UL 94V-0  
 Insulator color: Black  
 Contacts: Phosphor Bronze

Plating: Gold Flash over Nickel underplate on contact area.  
 Tin over Copper underplate on solder tails.  
 Electrical: Operating voltage: 100 VAC max  
 Current rating: 1.5 Amps max  
 Contact resistance: 30 mohms max  
 Insulation resistance: 1,000 Mohms min @ 500 VDC  
 Dielectric withstanding voltage: 500 VAC for 1 minute  
 Temperature Rating: Operating temperature: -55°C to +85°C

Environmental: Lead free, RoHS compliant  
 Recommended soldering temp: 260°C for 5 sec.

UNLESS OTHERWISE SPECIFIED  
 ALL DIMENSIONS ARE INCHES [MM]  
 TOLERANCES: EXCEPT AS NOTED  
 INCHES HOLES ±.10  
 .X ±.10 Ø.X  
 .XX ±.020 Ø.XX  
 .XXX ±.015 Ø.XXX

**ADAM TECH**  
 909 Rahway Avenue, Union, NJ 07083  
 Phone: 908-687-5000 Fax: 908-687-5710

TITLE: SATA CONNECTOR, 7P + 6P, VERTICAL  
 SMT TYPE, FEMALE, WITH POST

DRAWN	DY	12/16/09	DATE
CHECKED			
APPROVED			
SIZE	PART NO.	REF:	SCALE:
X	SATA-A2-PM-VSMT-P	S00078T	NTS
			SHEET 1 OF 1