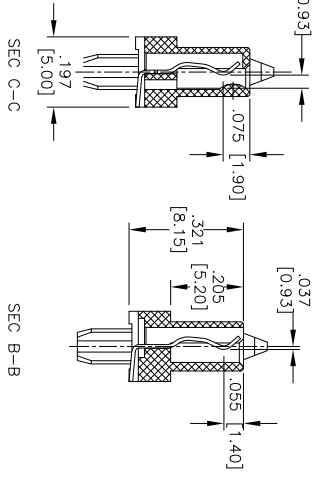
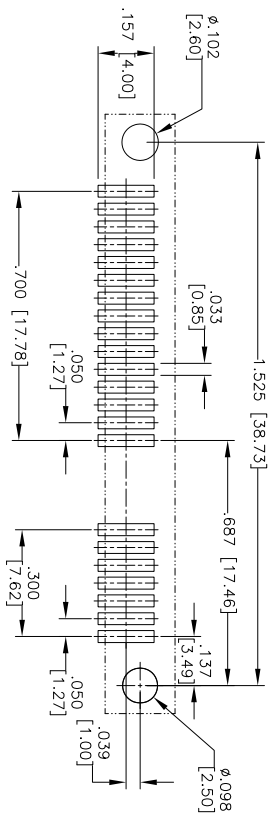
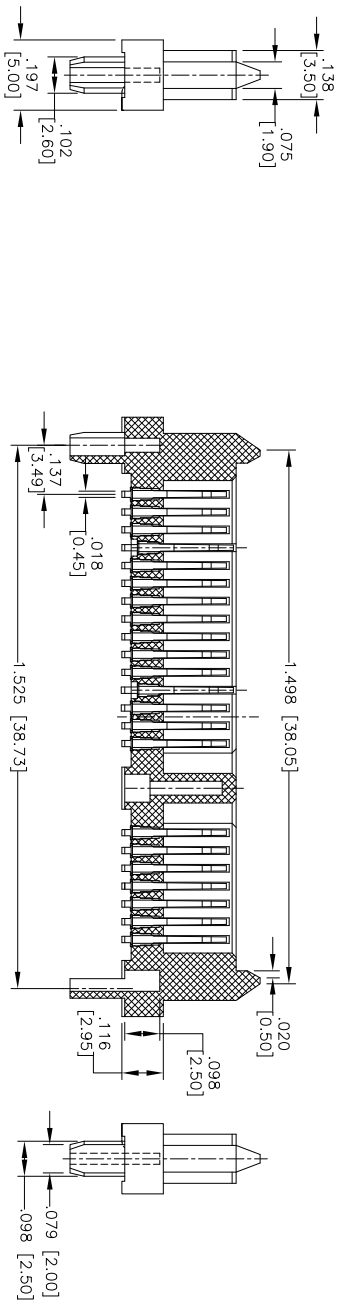
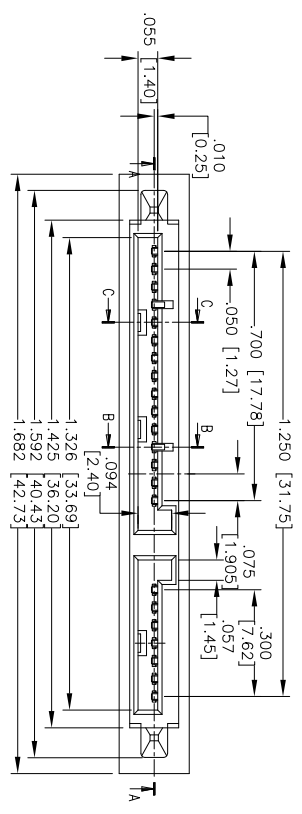


Rev	AWO #	Description	Date	Appr
-		RELEASED	2/06/10	

APPROVED: _____ TITLE: _____
 DATE: _____



SPECIFICATIONS:
 Material:
 Insulator: LCP, rated UL 94V-0
 Insulator color: Black
 Contacts: Phosphor Bronze
 Plating:
 Gold Flash over Nickel underplate on contact area,
 Tin over Copper underplate on solder tails
 Electrical:
 Operating voltage: 100 VAC max.
 Current rating: 1.5 Amps max.
 Contact resistance: 30 Milliohms max.
 Insulation resistance: 1,000 Megohms min.
 Dielectric withstanding voltage: 500 VAC
 Temperature Rating:
 Operating temperature: -55°C to +125°C
 Environmental:
 Lead free, RoHS compliant

UNLESS OTHERWISE SPECIFIED
 ALL DIMENSIONS ARE INCHES [MM]
 TOLERANCES: EXCEPT AS NOTED
 INCHES HOLES
 .X ± .10 Ø.X ± .10
 .XX ± .020 Ø.XX ± .015
 .XXX ± .015 Ø.XXX ± .010

APPROVALS	DATE
DRAWN	DY
CHECKED	
APPROVED	

ADAM TECH
 909 Railway Avenue, Union, NJ 07083
 Phone: 908-687-5000 Fax: 908-687-5710

TITLE
 SATA CONNECTOR, 7P + 15P, VERTICAL
 FEMALE, REVERSE SMT TYPE

SIZE PART NO.
 X SATA-AA-PM-VT-SMT

REF: S00078T SCALE: NTS SHEET 1 OF 1