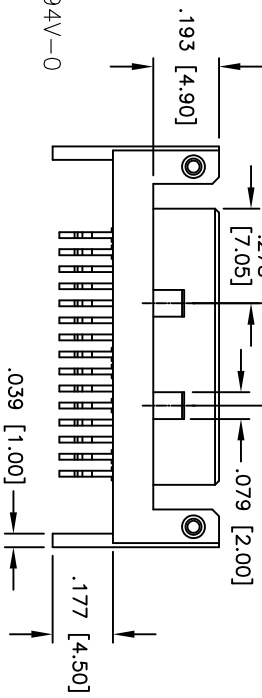
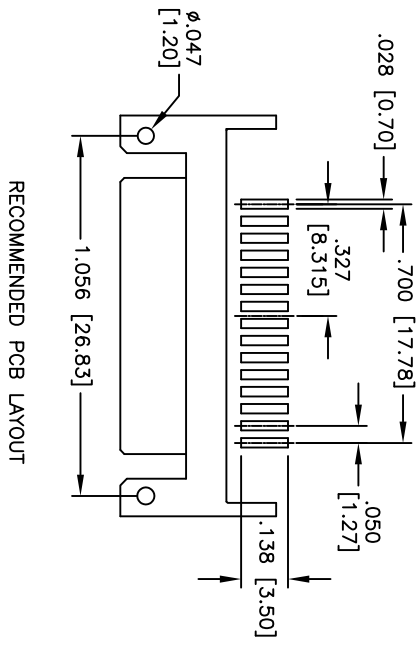
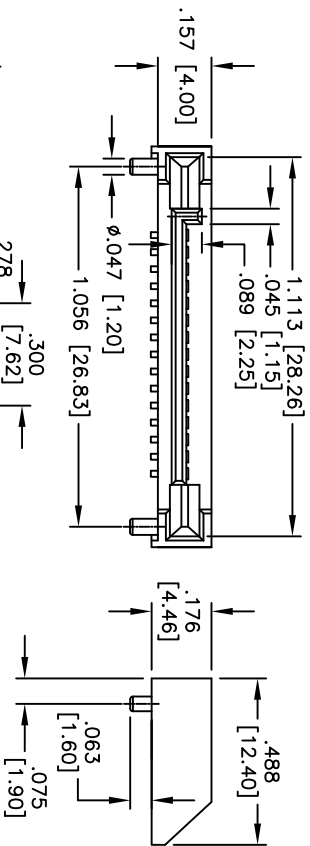
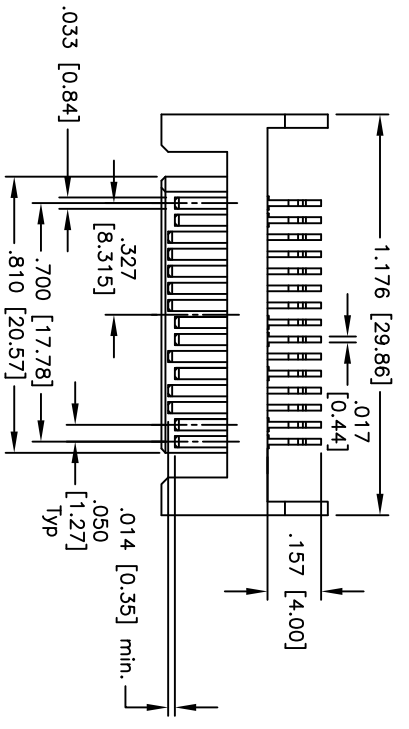


Rev	AWO #	Description	Date	Appr
-		RELEASED	5/05/10	

APPROVED: \_\_\_\_\_  
 DATE: \_\_\_\_\_ TITLE: \_\_\_\_\_



**SPECIFICATIONS:**  
 Material:  
 Insulator: LCP, rated UL 94V-0  
 Insulator color: Black  
 Contacts: Brass  
 Plating:  
 Gold Flash over Nickel underplate on contact area,  
 Tin over Copper underplate on solder tails

**Electrical:**  
 Current rating: 1.5 Amps per contact  
 Contact resistance: 30 mohms max  
 Insulation resistance: 1000 Mohms min  
 Dielectric withstanding voltage: 500 VAC  
 Temperature Rating:  
 Operating temperature: -55°C to +125°C  
 Environmental:  
 Lead free, RoHS compliant  
 Recommended soldering temp: 260°C for 5 seconds



UNLESS OTHERWISE SPECIFIED ALL DIMENSIONS ARE INCHES [MM]	
TOLERANCES: EXCEPT AS NOTED	
X ± .10	ØX ± .10
XX ± .020	ØXX ± .015
XXX ± .015	ØXXX ± .010
APPROVALS	
DRAWN	DY
CHECKED	
APPROVED	
DATE	
5/05/10	

**ADAM TECH**  
 909 Rahway Avenue, Union, NJ 07083  
 Phone: 908-687-5000 Fax: 908-687-5710

TITLE: SATRA CONNECTOR, 15PIN, MALE,  
 RIGHT ANGLE, SMT TYPE, W/ POST

REF:	SIZE	PART NO.	SCALE:	SHEET	REV.
X		SATRA-A5-PR-SMT-PEG	NTS	1 OF 1	