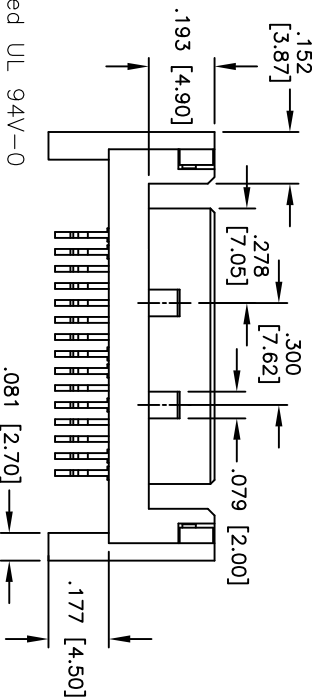
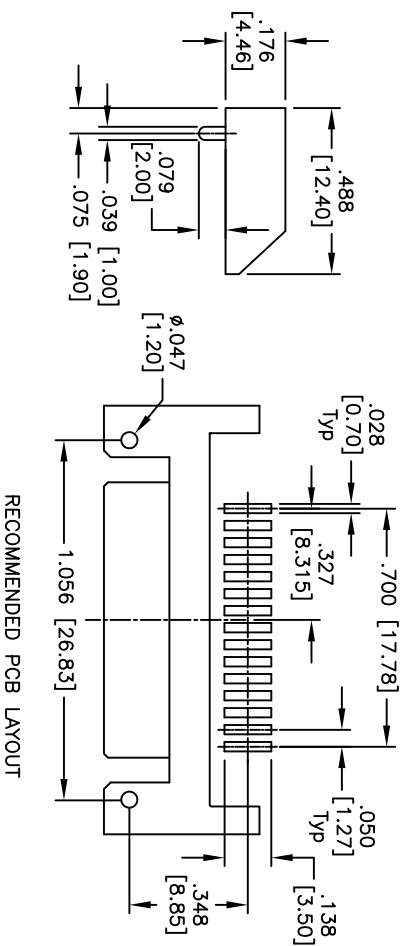
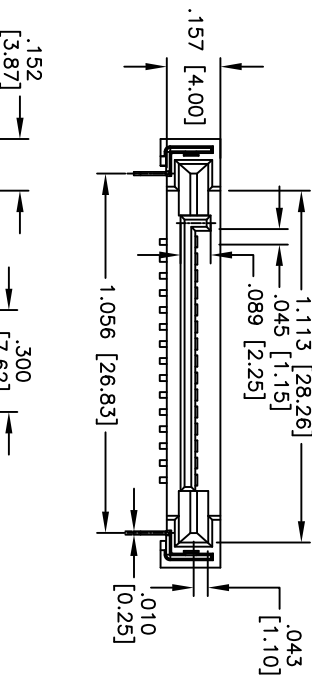
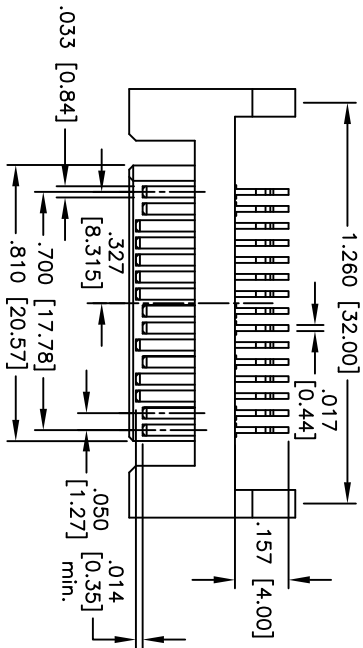


Rev	AWO #	Description	Date	Appr
-		RELEASED	5/05/10	

APPROVED: \_\_\_\_\_  
 DATE: \_\_\_\_\_ TITLE: \_\_\_\_\_



**SPECIFICATIONS:**

**Material:**  
 Insulator: LCP, rated UL 94V-0  
 Insulator color: Black  
**Contacts:** Brass  
**Plating:**  
 Gold Flash over Nickel underplate on contact area,  
 Tin over Copper underplate on solder tails

**Electrical:**  
 Current rating: 1.5 Amps per contact  
 Contact resistance: 30 mohms max  
 Insulation resistance: 1000 Mohms min  
 Dielectric withstanding voltage: 500 VAC  
**Temperature Rating:**  
 Operating temperature: -55°C to +125°C  
**Environmental:**  
 Lead free, RoHS compliant  
 Recommended soldering temp: 260°C for 5 seconds



**ADAM TECH**

909 Railway Avenue, Union, NJ 07083  
 Phone: 908-687-5000 Fax: 908-687-5710

**TITLE** SATA CONNECTOR, 15PIN, MALE,  
 RIGHT ANGLE, SMT TYPE

UNLESS OTHERWISE SPECIFIED ALL DIMENSIONS ARE INCHES [MM] TOLERANCES: EXCEPT AS NOTED INCHES HOLES		DATE	
.X ± .10	Ø.X ± .10	APPROVALS	DATE
.XX ± .020	Ø.XXX ± .015	DRAWN	DY
.XXX ± .015	Ø.XXX ± .010	CHECKED	
		APPROVED	

SIZE	PART NO.	DATE	REV.
X	SATA-A5-PR-SMT	5/05/10	-

REF: S00154T SCALE: NTS SHEET 1 OF 1