

Rev	AWO #	Description	Date	Appr
-	10326	RELEASED	6/09/10	

6

5

4

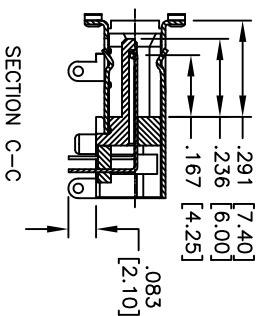
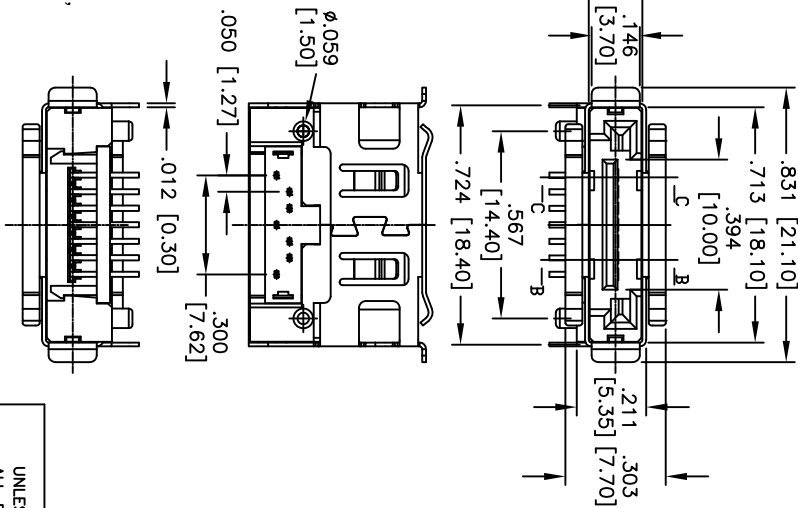
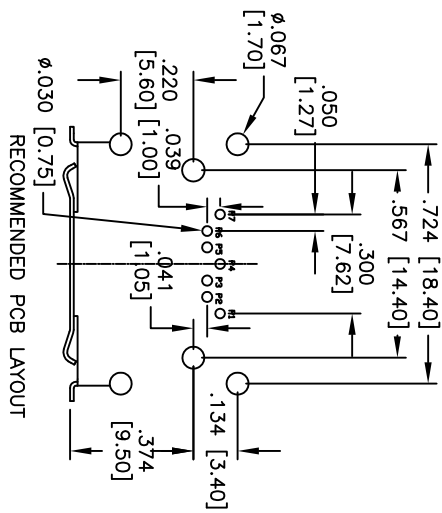
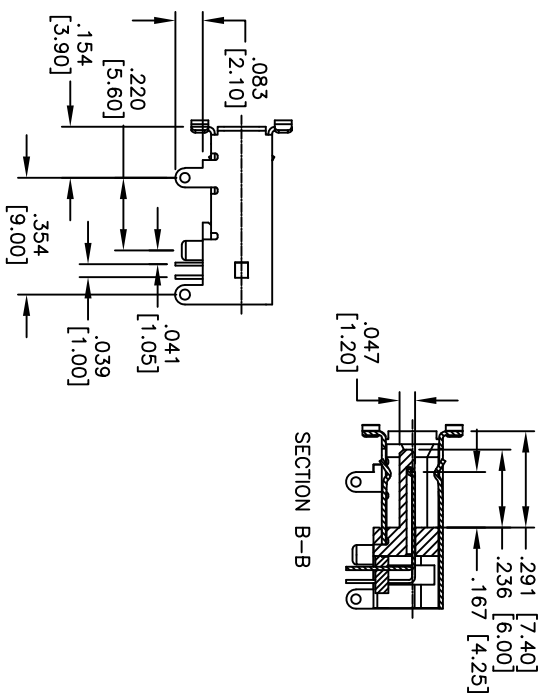
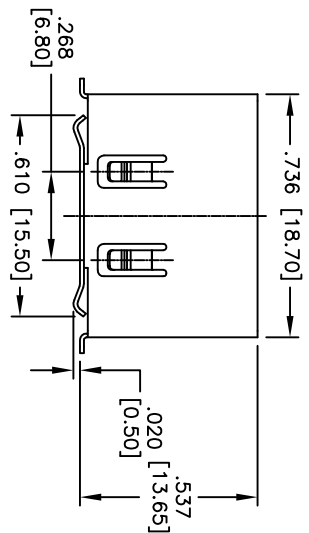
3

2

1

APPROVED: _____

DATE: _____ TITLE: _____



B

SPECIFICATIONS:

Material:

Insulator: Hi-temp thermoplastic, rated UL 94V-0

Insulator color: Black

Contacts: Brass

Plating:

Gold Flash over Nickel underplate on contact area,

Tin over Copper underplate on solder tails

Electrical:

Operation Voltage: 100V AC Max.

Current rating: 1.5 Amps per contact

Contact resistance: 45 mohms per contact

Insulation resistance: 1000 Mohms min

Dielectric withstanding voltage: 500 VAC

Temperature Rating:

Operating temperature: -25°C to +85°C

Environmental:

Lead free, RoHS compliant

Recommended soldering temp: 260°C for 5 seconds

6

5

4

3

2

1

ADAM TECH

909 Railway Avenue, Union, NJ 07083

Phone: 908-687-5000 Fax: 908-687-5710

SATA CONNECTOR, 7PIN, MALE, R/A

DIP TYPE, METAL SHELL TYPE

TITLE

SIZE PART NO. SATA-A7-NP-RT

REF: S00100T SCALE: NTS SHEET 1 OF 1

DRAWN DY 6/09/10

CHECKED

APPROVED

A

B

C

D