

6

5

4

3

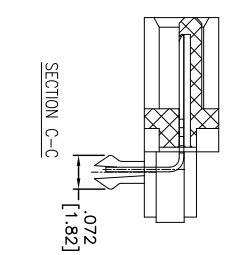
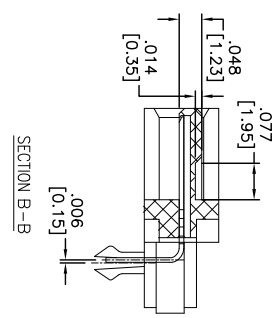
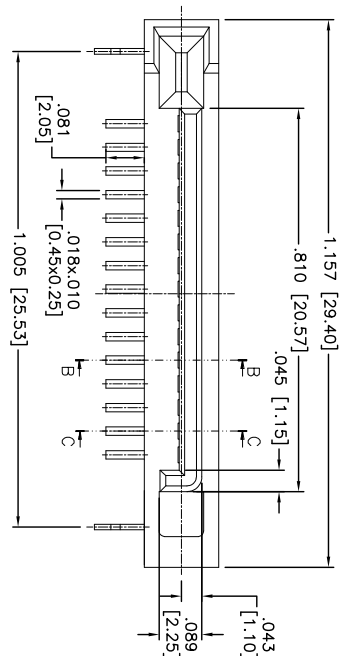
2

1

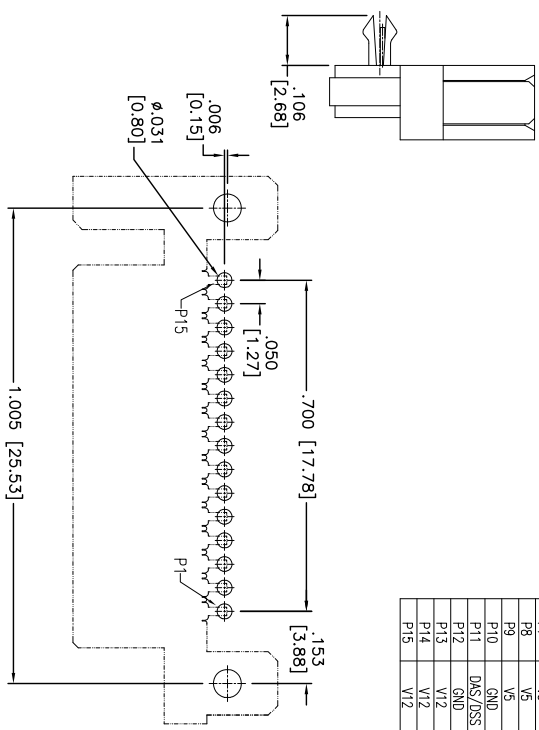
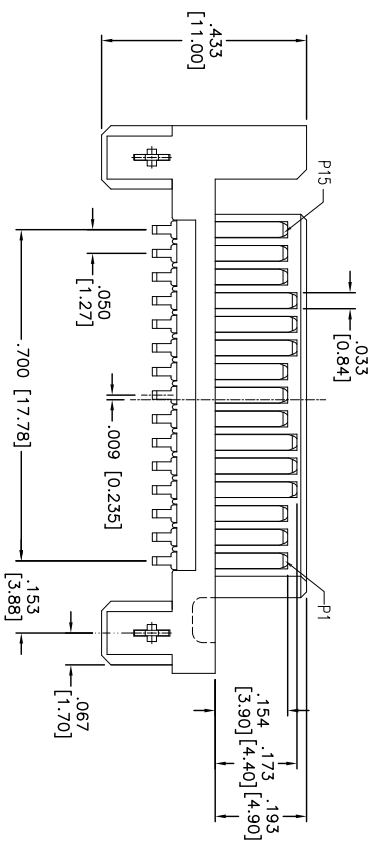
Rev	AWO #	Description	Date	Appr
-		RELEASED	6/21/11	

APPROVED: _____

DATE: _____ TITLE: _____



PIN NO.	SIGNAL NAME
P1	V33
P2	V33
P3	V33
P4	GND
P5	GND
P6	GND
P7	V5
P8	V5
P9	V5
P10	GND
P11	DA5/DSS
P12	GND
P13	V12
P14	V12
P15	V12



B

SPECIFICATIONS:

Material: Insulator: Hi-temp thermoplastic, rated UL 94V-0
 Insulator color: Black
Harpoon: Brass
Contacts: Brass
Plating: 15u" Gold over Nickel underplate on contact area, Tin over Copper underplate on solder tails
Electrical: Current rating: 1.5 Amps per contact
 Contact resistance: 30 mohms max
 Insulation resistance: 1000 Mohms min
 Dielectric withstanding voltage: 500 VAC
Temperature Rating: Operating temperature: -55°C to +125°C
Environmental: Lead free, RoHS compliant
 Recommended soldering temp: 260°C for 5 seconds



A

ADAM TECH

909 Rahway Avenue, Union, NJ 07083
 Phone: 908-687-5000 Fax: 908-687-5710

TITLE SATA 15P RIGHT ANGLE THRU-HOLE
MALE, (PCB THICKNESS 1.60MM)

UNLESS OTHERWISE SPECIFIED ALL DIMENSIONS ARE INCHES [MM] TOLERANCES: EXCEPT AS NOTED INCHES		HOLES	
.X	± .10	Ø.X	± .10
.XX	± .020	Ø.XXX	± .015
.XXX	± .015	Ø.XXXX	± .010
APPROVALS		DATE	
DRAWN	AY	6/21/11	
CHECKED	LW	6/21/11	
APPROVED			

REF:	SIZE	PART NO.	SCALE:	SHEET	REV.
S00078T	X	SATA-A9-PR-RT-15	NTS	1 OF 1	

A

B

C

D

6

5

4

3

2

1