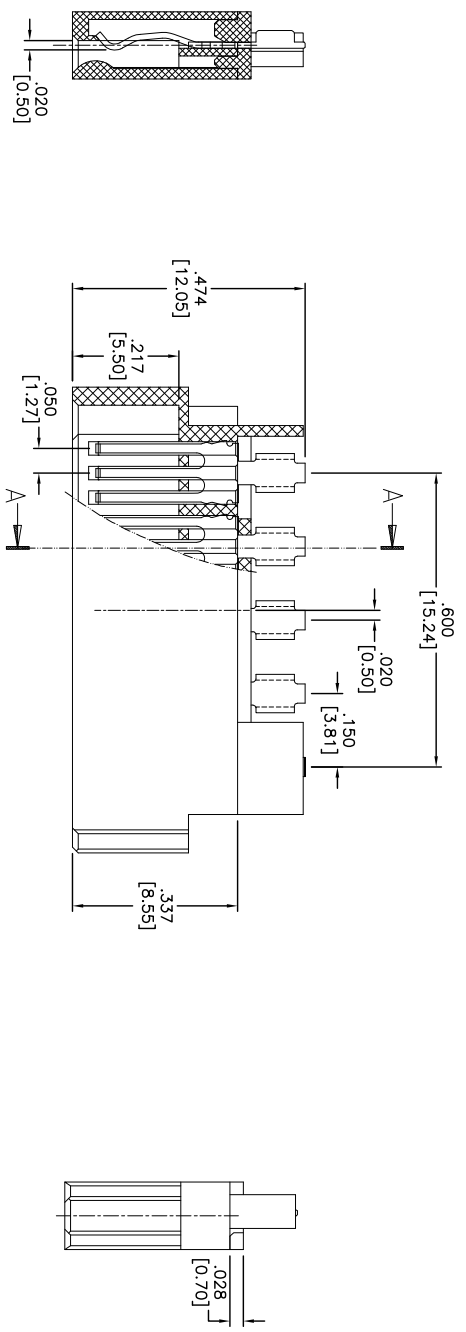


Rev	AWO #	Description	Date	Appr
-		RELEASED	6/21/11	

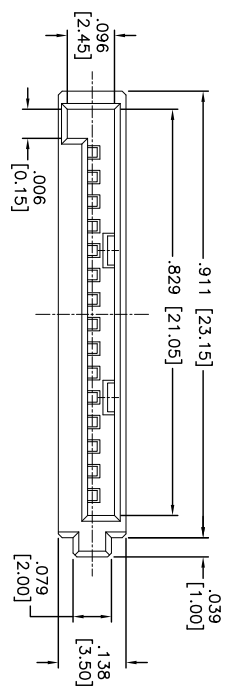
6 5 4 3 2 1

APPROVED: _____

DATE: _____ TITLE: _____



SECT A-A



SPECIFICATIONS:

Material:
 Insulator: Hi-temp thermoplastic, rated UL 94V-0
 Stopper: Hi-temp thermoplastic, rated UL 94V-0
 Insulator color: Black
 Contacts: Phosphor Bronze
 Plating:
 15u" Gold over Nickel underplate on contact area,
 Tin over Copper underplate on solder tails

Electrical:
 Operating voltage: 100 VAC max
 Current rating: 1.5 Amps per contact
 Contact resistance: 30 mohms max
 Insulation resistance: 1000 Mohms min
 Dielectric withstanding voltage: 500 VAC
 Temperature Rating:
 Operating temperature: -55°C to +125°C
Environmental:
 Lead free, RoHS compliant
 Recommended soldering temp: 260°C for 5 seconds



ADAM TECH

909 Railway Avenue, Union, NJ 07083
 Phone: 908-687-5000 Fax: 908-687-5710

TITLE: SATA 15P, FEMALE SOLDER TYPE
 15u" SEL GOLD PLATED

UNLESS OTHERWISE SPECIFIED ALL DIMENSIONS ARE INCHES [MM] TOLERANCES: EXCEPT AS NOTED INCHES		APPROVALS		DATE	
.X	± .10	ØX	± .10		
.XX	± .020	ØXXX	± .015		
.XXX	± .015	ØXXX	± .010		
DRAWN	AY			6/21/11	
CHECKED	LW			6/21/11	
APPROVED					
SIZE	PART NO.	REF:	SCALE:	SHEET	REV.
X	SATA-A9-PR-RT-F-S-15	S00078T	NIS	1 OF 1	-

6 5 4 3 2 1