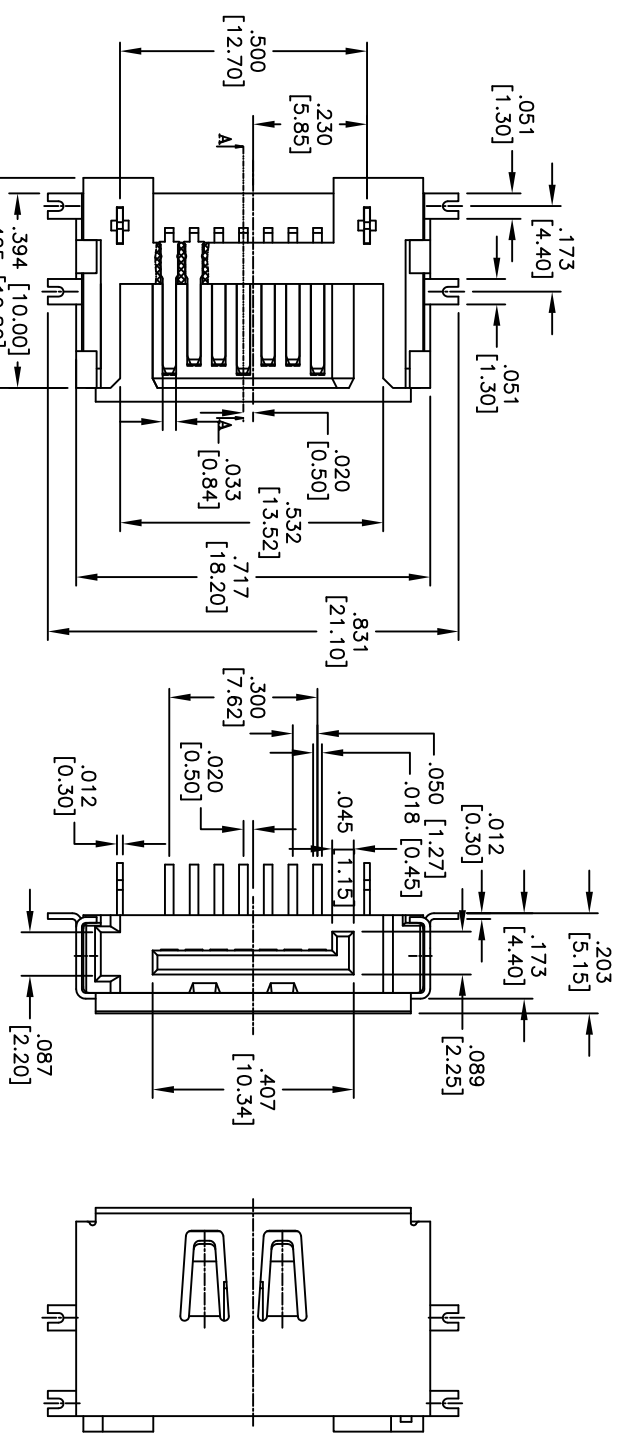
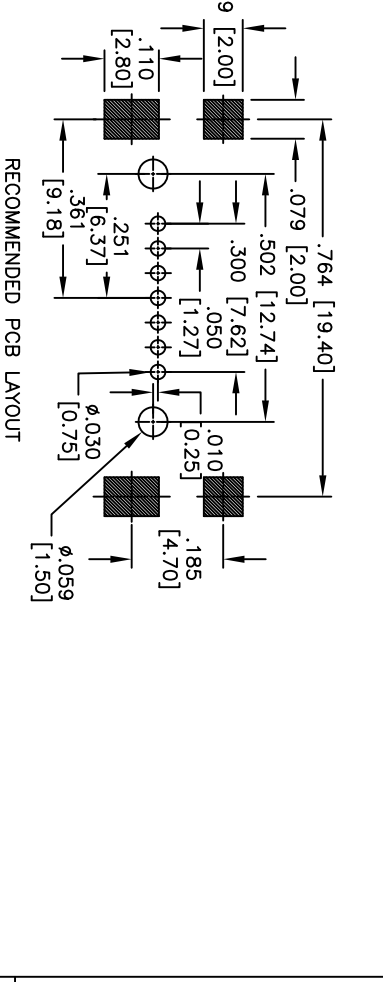


Rev	AWO #	Description	Date	Appr
-		RELEASED	9/23/10	

APPROVED: \_\_\_\_\_  
 DATE: \_\_\_\_\_ TITLE: \_\_\_\_\_



**SPECIFICATIONS:**  
 Material: Insulator: LCP, rated UL 94V-0  
 Insulator color: Black  
 Contacts: Phosphor Bronze  
 Plating: Gold Flash over Nickel underplate on contact area, Tin over Copper underplate on solder tails  
**Electrical:**  
 Operation Voltage: 100 VAC max.  
 Current rating: 1.5 Amps per contact  
 Contact resistance: 30 Milliohms max  
 Insulation resistance: 1000 Megohms min  
 Dielectric withstanding voltage: 500 VAC  
 Temperature Rating: Operating temperature: -55°C to +125°C  
 Environmental: Lead free, RoHS compliant  
 Recommended soldering temp: 260°C for 5 seconds



**UNLESS OTHERWISE SPECIFIED**  
 ALL DIMENSIONS ARE INCHES [MM]  
 TOLERANCES: EXCEPT AS NOTED  
 INCHES HOLES  
 .X ± .10  
 .XX ± .020  
 .XXX ± .015  
 .XXX ± .015

APPROVALS		DATE	
DRAWN	DY		9/23/10
CHECKED			
APPROVED			

TITLE		SATA 7P STANDARD IRON HULL, DIP TYPE	
909 Railway Avenue, Union, NJ 07083		Phone: 908-687-5000 Fax: 908-687-5710	
<b>ADAM TECH</b>			
SIZE	PART NO.	SCALE:	SHEET 1 OF 1
X	SATA-B-PR-RT	NTS	
REF:	S00078T		