

Rev	AWO #	Description	Date	Appr
-		RELEASED	7/29/09	

6

5

4

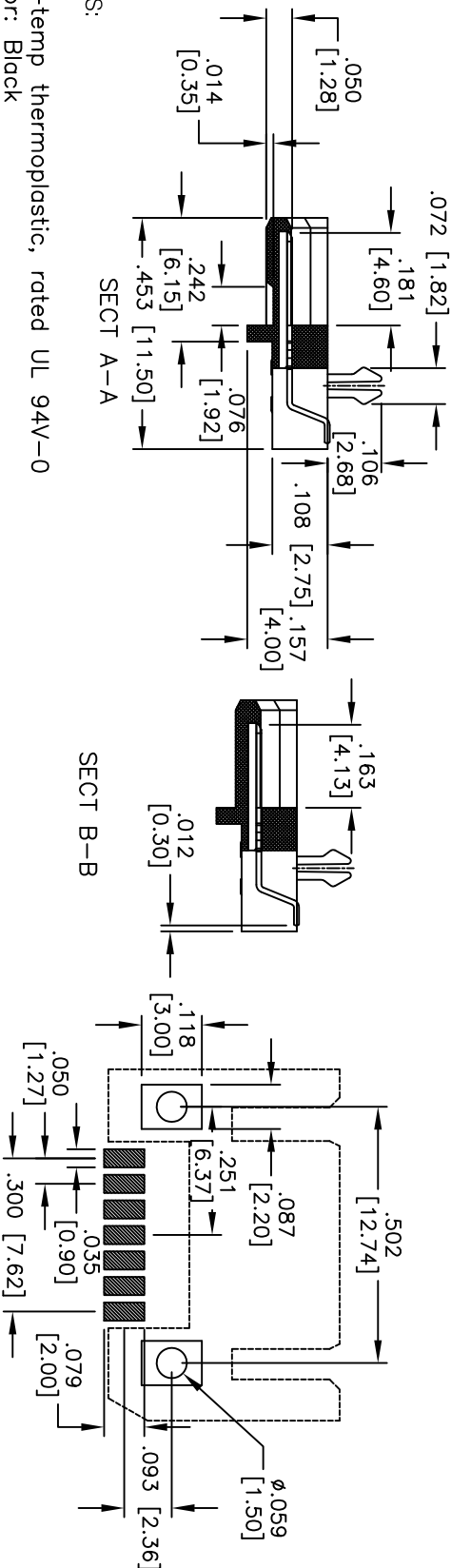
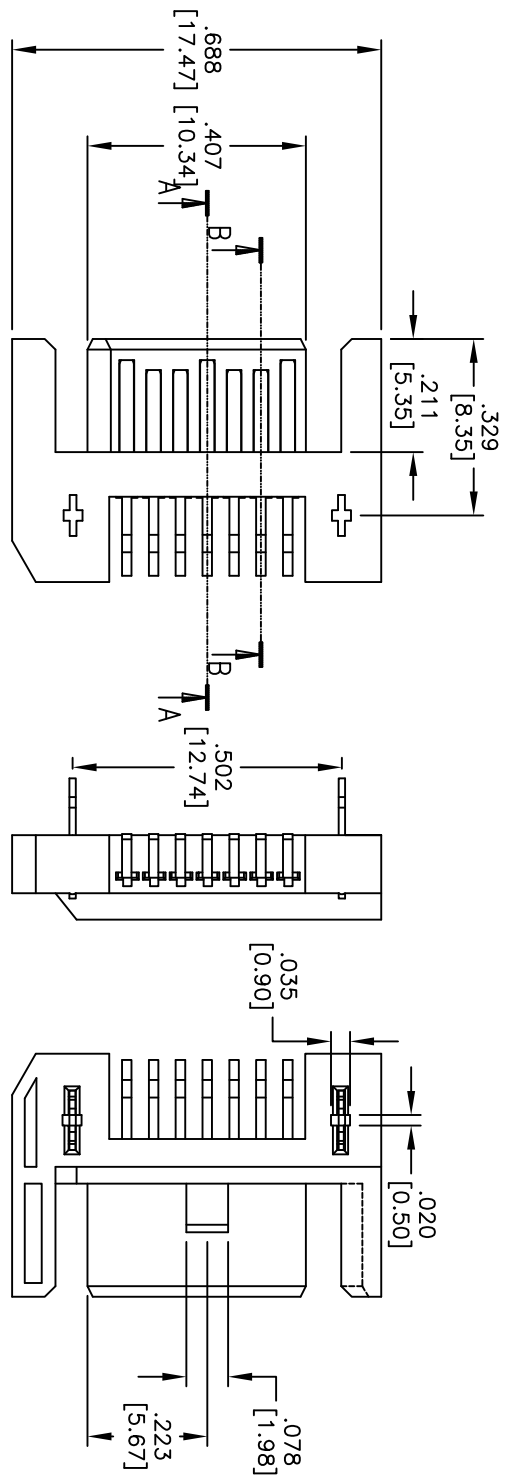
3

2

1

APPROVED: _____

DATE: _____ TITLE: _____



SPECIFICATIONS:

Material: Insulator: Hi-temp thermoplastic, rated UL 94V-0
 Insulator color: Black
 Contacts: Phosphor Bronze
 Plating: Gold over Nickel underplate on contact area, Tin over Copper underplate on tails

Electrical:

Current rating: 1.5 Amps max per contact
 Contact resistance: 30 mohms max
 Insulation resistance: 1000 Mohms min
 Dielectric withstanding voltage: 500 VAC for 1 minute
 Temperature Rating: Operating temperature: -55°C to +125°C
 Environmental: Lead free, RoHS compliant.



ADAM TECH

909 Railway Avenue, Union, NJ 07083
 Phone: 908-687-5000 Fax: 908-687-5710

TITLE: SATA CONNECTOR, 7P, TYPE C
 LEFT POLARIZATION, SMT, W/KEY

UNLESS OTHERWISE SPECIFIED ALL DIMENSIONS ARE IN INCHES [MM]		TOLERANCES: EXCEPT AS NOTED	
INCHES		Holes	
.X	± .10	Ø.X	± .10
.XX	± .020	Ø.XX	± .015
.XXX	± .015	Ø.XXX	± .010
APPROVALS		DATE	
DRAWN	DY	7/29/09	
CHECKED			
APPROVED			
SIZE	PART NO.	REF:	SCALE:
X	SATA-C-PL-SMT-K	S00078T	NIS
REV.		SHEET	1 OF 1

6

5

4

3

2

1