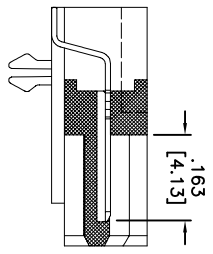
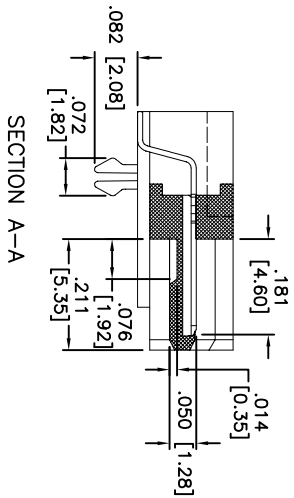
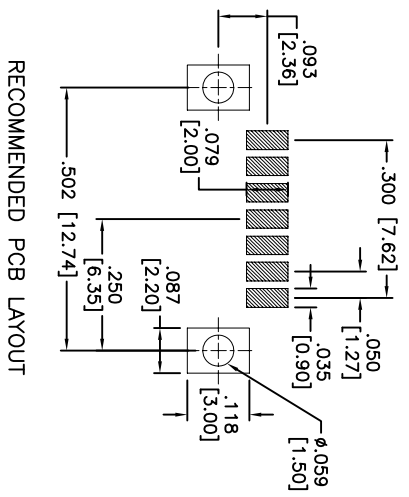
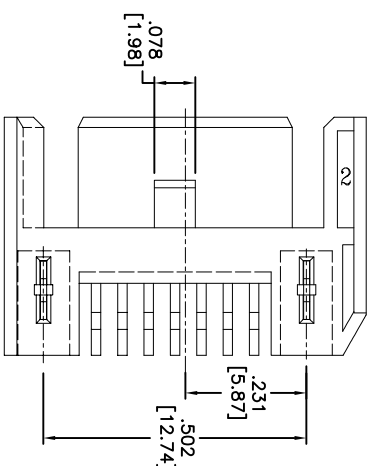
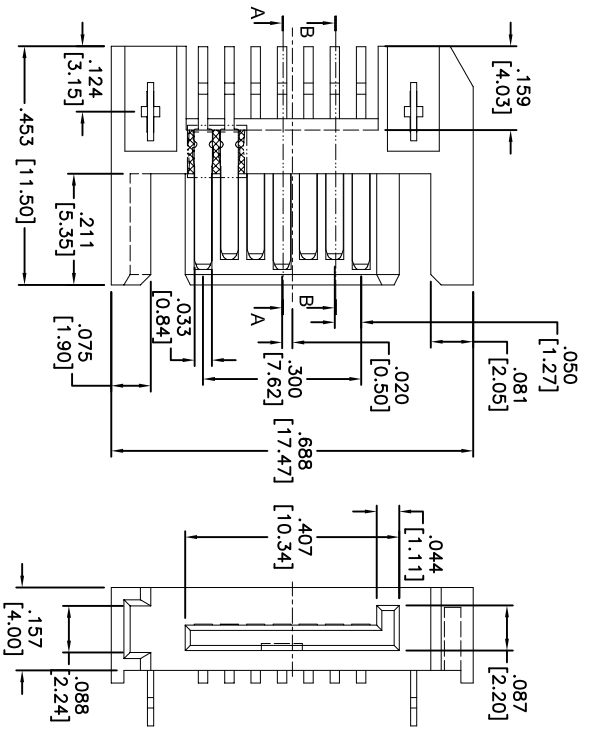


Rev	AWO #	Description	Date	Appr
-		RELEASED	2/20/12	

APPROVED: \_\_\_\_\_  
 DATE: \_\_\_\_\_ TITLE: \_\_\_\_\_



**SECTION A-A**

**SECTION B-B**

**RECOMMENDED PCB LAYOUT**

**SPECIFICATIONS:**

Material: HI-Temp Thermoplastic, rated UL 94V-0  
 Insulator color: Black  
 Contacts: Brass  
 Plating:  
 15u" Gold over Nickel underplate on mating area,  
 Tin over Copper underplate on tails

**Electrical:**  
 Operating voltage: 30 VAC max  
 Current rating: 1.5 Amps max  
 Contact resistance: 30 mohms max  
 Insulation resistance: 1,000 Mohms min @ 500 VAC  
 Dielectric withstanding voltage: 500 VAC for 1 minute

**Mechanical:**  
 Insertion force: 45N max.  
 Withdrawal force: 10N min.  
 Durability: 500 cycles  
 Temperature Rating:  
 Operating temperature: -55°C to +125°C  
 Environmental:  
 Lead free, RoHS compliant



UNLESS OTHERWISE SPECIFIED ALL DIMENSIONS ARE IN INCHES [MM] TOLERANCES ARE AS NOTED		INCHES		HOLDERS	
.X	± .10	ØX	± .10		
.XX	± .020	ØXXX	± .015		
.XXX	± .015	ØXXX	± .010		
APPROVALS		DATE			
DRAWN	AY	2/20/12			
CHECKED	AH	2/20/12			
APPROVED					
TITLE		SIZE	PART NO.	REV.	
SERIAL ATA CONNECTOR, TYPE C		X	SATA-C-PR-SMT-K-15		
RIGHT POLARIZATION, SURFACE MOUNT, KEY		REF:	S00078T	SCALE:	NIS
ADAM TECH		SHEET	1	OF	1
909 Rahway Avenue, Union, NJ 07083					
Phone: 908-687-5000 Fax: 908-687-5710					

6 5 4 3 2 1