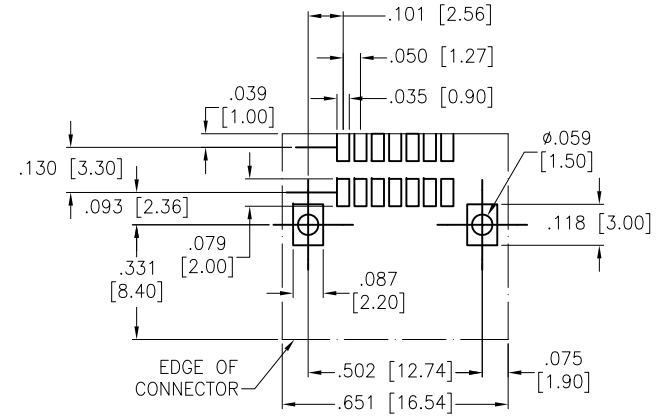
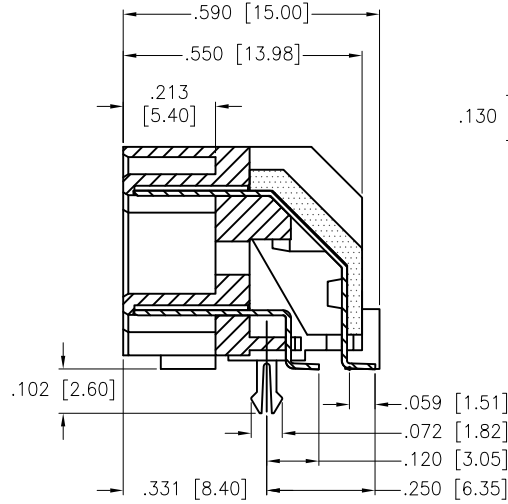
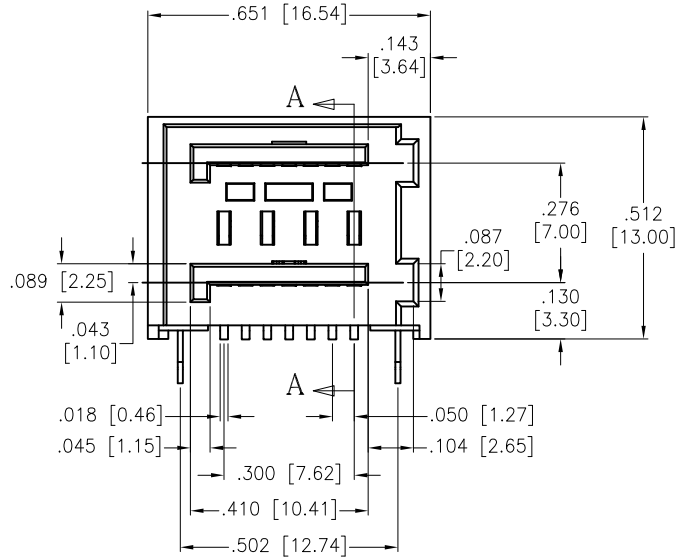
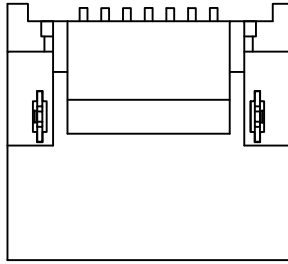
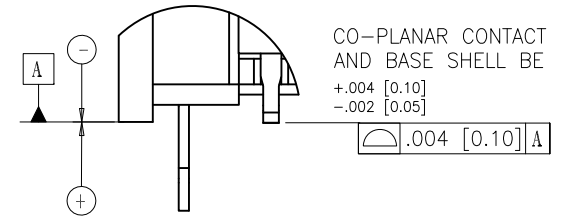


APPROVED: _____
 DATE: _____ TITLE: _____

Rev	AWO #	Description	Date	Appr
-		RELEASED	11/25/11	
A		UPDATED DRAWING	1/8/16	HR/LW



RECOMMENDED PCB LAYOUT



SPECIFICATIONS:
Material:
 Insulator: Hi-temp thermoplastic, rated UL 94V-0
 Insulator color: Black
 Contacts: Brass
 Clip: Brass, Tin plated
Plating:
 Gold flash over Nickel underplate on mating area,
 Tin over Copper underplate on SMT tails
Electrical:
 Voltage rating: 30 VDC max.
 Current rating: 2 Amps
 Contact resistance: 35 mohms max,
 15 mohms max After initial Cycle
 Insulation resistance: 1,000 Mohms min. @ 250 Vrms
 Dielectric withstanding voltage: 500 VDC for 1 minute
Mechanical:
 Unmating Force: 15 g min. per contact
 Durability: 500 cycles min.
 Temperature Rating:
 Operating temperature: -40°C to +105°C
Environmental:
 Lead free, RoHS compliant



PACKAGED ON TAPE & REEL

UNLESS OTHERWISE SPECIFIED ALL DIMENSIONS ARE INCHES [MM] TOLERANCES: EXCEPT AS NOTED		ADAM TECH 909 Rahway Avenue, Union, NJ 07083 Phone: 908-687-5000 Fax: 908-687-5710	
INCHES HOLES .X ± .10 Ø.X ± .10 .XX ± .020 Ø.XX ± .015 .XXX ± .015 Ø.XXX ± .010			
APPROVALS		TITLE	
DATE		SATA CONNECTOR, TYPE D, MALE, OPEN BOTTOM LEFT POLARIZATION, R/A SMT, SIDE SLOTS	
DRAWN	AY 11/25/11	SIZE	PART NO.
CHECKED	AH 11/25/11	X	SATA-D-PL-SMT-S-OB-T/R
APPROVED		REF:	S00140T
		SCALE:	NTS
		SHEET 1 OF 2	

6

5

4

3

2

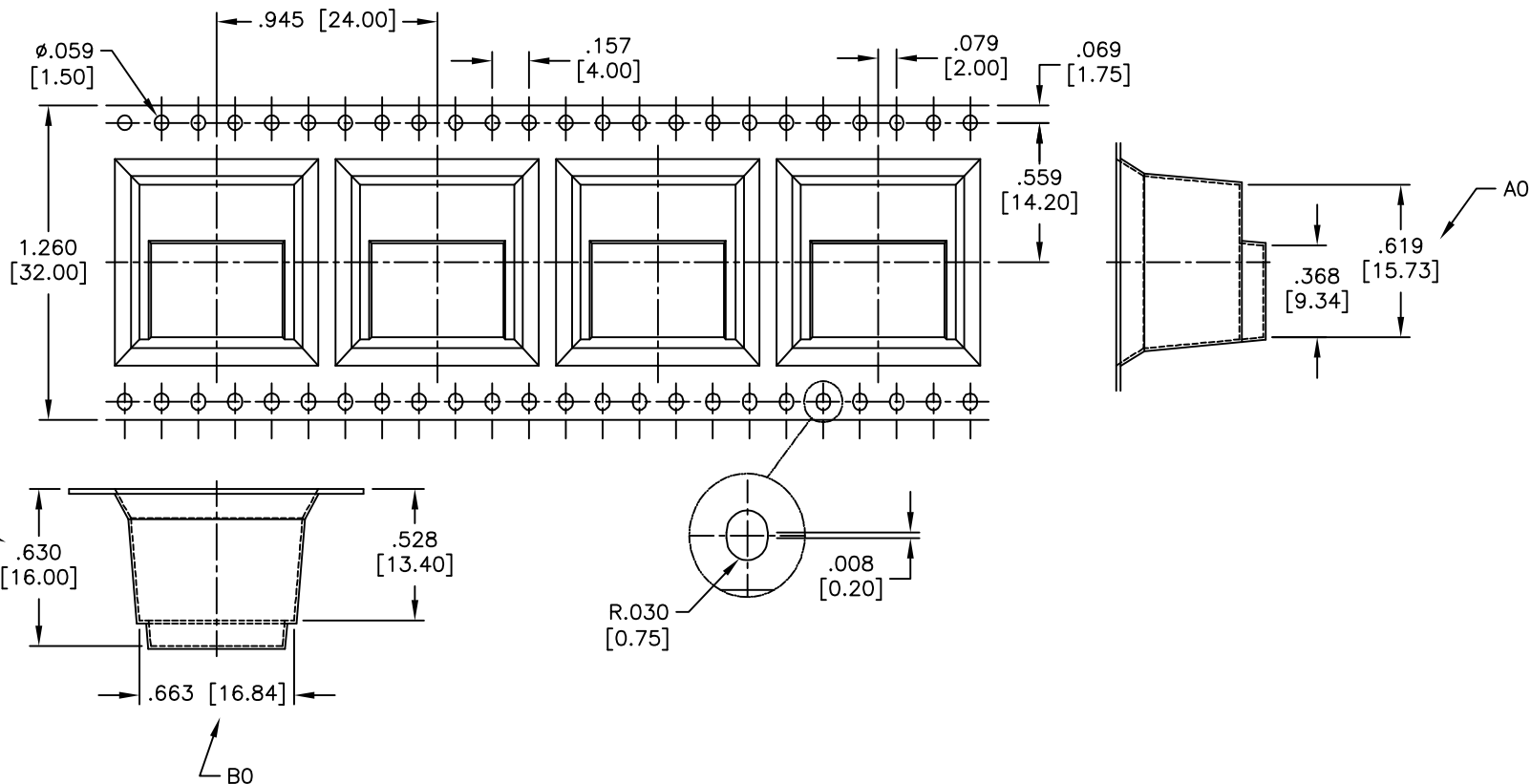
1

APPROVED: _____

DATE: _____ TITLE: _____

Rev	AWO #	Description	Date	Appr
-----	-------	-------------	------	------

SEE SHT 1 OF 2 FOR REVISION



- 10 sprocket hole pitch cumulative tolerance ± 0.20 mm.
- Carrier camber not to exceed 1mm in 250 mm.
- A0 & B0 measured on a plane 0.3mm above the bottom of the pocket.
- KO measured from a plane on the inside bottom of the pocket to the top surface of the carrier.
- All dimension meet EIA-418-C requirements.
- Material: Transparent conductive Polystyrene.
- Thickness: 0.5mm \pm 0.05mm.
- Packing length per 15" reel: 6.2 meters.
- Components loader per 15" reel: 200 Pcs
- Not to dimension angle is 5°

UNLESS OTHERWISE SPECIFIED
ALL DIMENSIONS ARE INCHES [MM]
TOLERANCES: EXCEPT AS NOTED

INCHES		HOLES	
.X	$\pm .10$	$\phi .X$	$\pm .10$
.XX	$\pm .020$	$\phi .XX$	$\pm .015$
.XXX	$\pm .015$	$\phi .XXX$	$\pm .010$

ADAM TECH

909 Rahway Avenue, Union, NJ 07083
Phone: 908-687-5000 Fax: 908-687-5710

TITLE
SATA CONNECTOR, TYPE D, MALE, OPEN BOTTOM
LEFT POLARIZATION, R/A SMT, SIDE SLOTS

APPROVALS		DATE
DRAWN	AY	11/25/11
CHECKED	AH	11/25/11
APPROVED		

SIZE X	PART NO. SATA-D-PL-SMT-S-OB-T/R	REV. A
REF: S00140T	SCALE: NTS	SHEET 2 OF 2

6

5

4

3

2

1