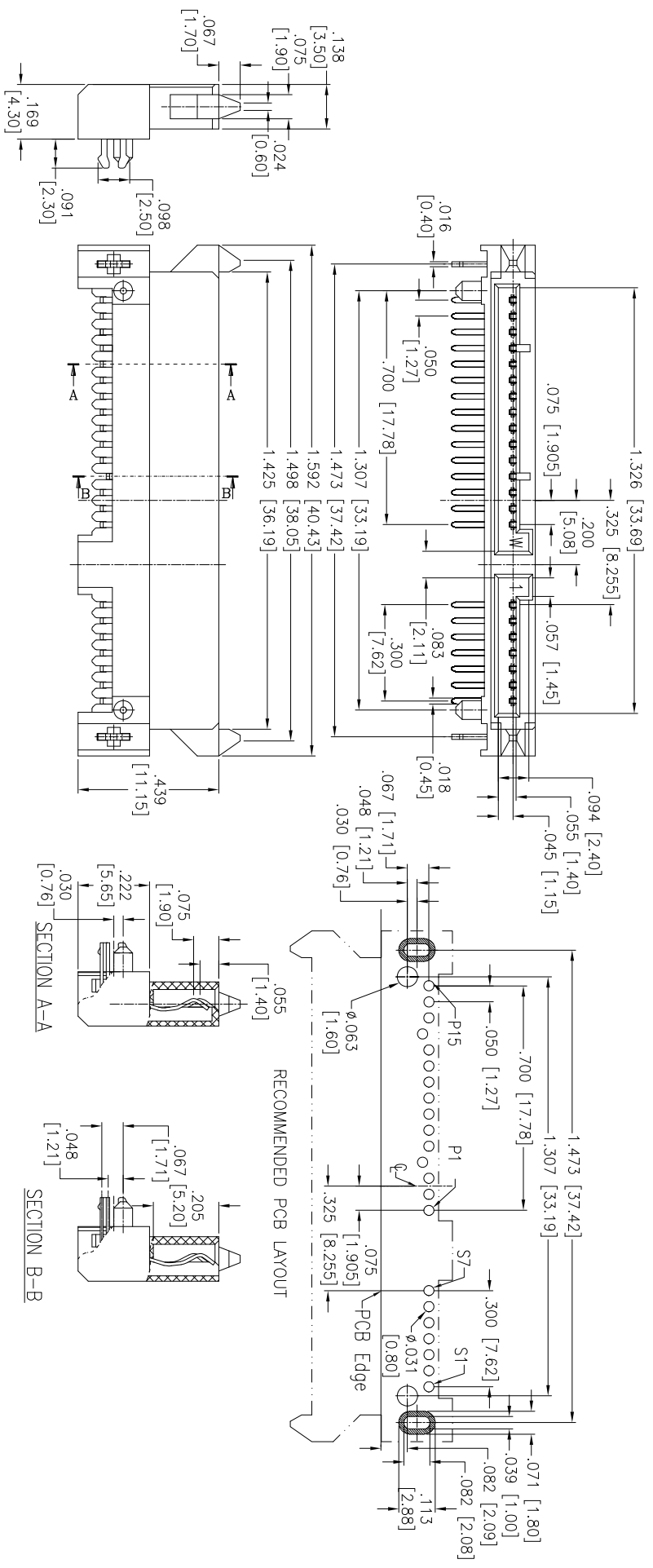


Rev	AWO #	Description	Date	Appr
-		RELEASED	8/13/15	

APPROVED: _____
 DATE: _____ TITLE: _____



Signal Segment		Power Segment	
Name	Type	Name	Type
S1	GND	P1	V33
S2	A-	P2	V33
S3	A-	P3	V33
S4	GND	P4	GND
S5	B-	P5	GND
S6	B+	P6	GND
S7	GND	P7	V5
		P8	V5

SPECIFICATIONS:
Material:
 Insulator: Hi-Temp Thermoplastic, rated UL 94V-0
 Insulator color: Black
 Contacts: Phosphor Bronze
 Plating:
 15u" Gold over Nickel underplate on contact area,
 Tin over Copper underplate on solder tails
Electrical:
 Current rating: 1.5 Amps max
 Contact resistance: 30 mohms max
 Insulation resistance: 1,000 Mohms min @ 500 VDC
 Dielectric withstanding voltage: 500 VAC for 1 minute
Mechanical:
 Insertion force: 45N max.
 Withdrawal force: 10N min.
 Durability: 500 cycles
 Temperature Rating:
 Operating temperature: -55°C to +85°C
 Environmental:
 Lead free, RoHS compliant

UNLESS OTHERWISE SPECIFIED
 ALL DIMENSIONS ARE INCHES [MM]
 TOLERANCES: EXCEPT AS NOTED
 INCHES HOLES
 .X ±.10 Ø.X ±.10
 .XX ±.020 Ø.XX ±.015
 .XXX ±.015 Ø.XXX ±.010

ADAM TECH
 909 Rahway Avenue, Union, NJ 07083
 Phone: 908-687-5000 Fax: 908-687-5710

TITLE: SATA CONNECTOR, 7P + 15P, RIGHT ANGLE
 REVERSE THRU-HOLE, FEMALE

APPROVALS	DATE	SIZE	PART NO.	REV.
DRAWN AY	8/13/15	X	SATA-G2-PM-RT-R-15	-
CHECKED NC	8/13/15			
APPROVED				

