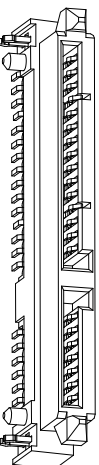
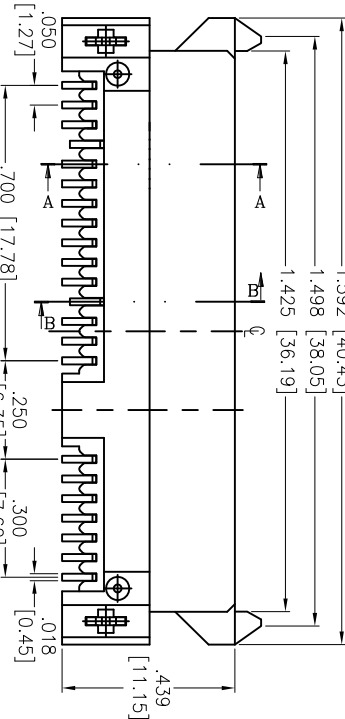
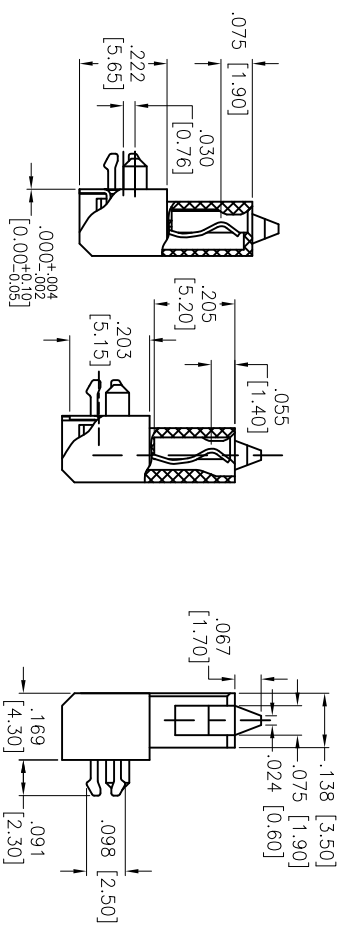
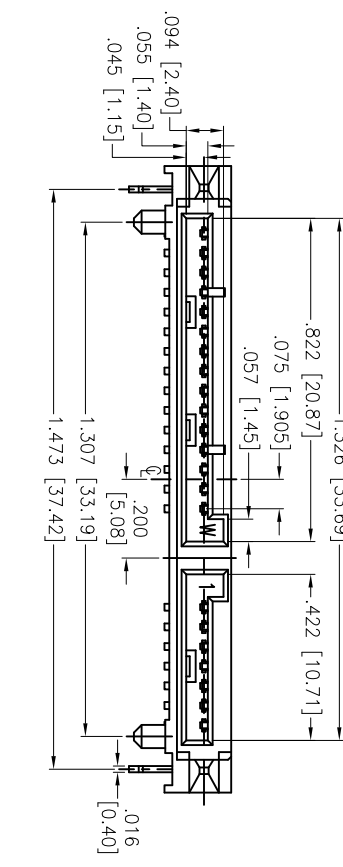
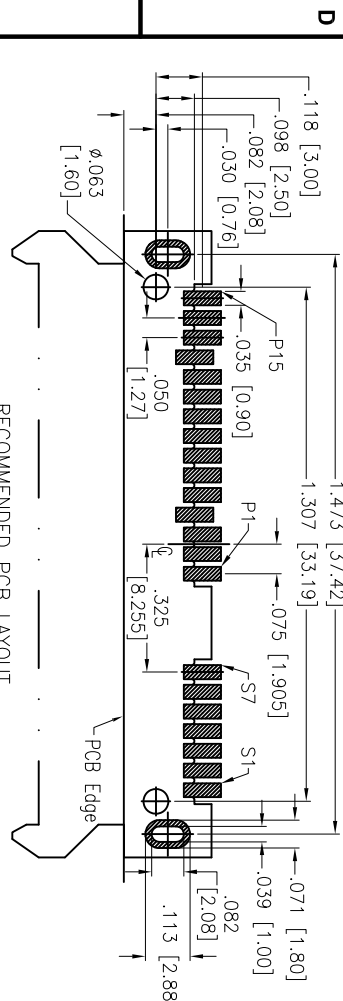


Rev	AWO #	Description	Date	Appr
-		RELEASED	8/18/15	

APPROVED: _____
 DATE: _____ TITLE: _____



Signal Segment	Name	Type	Power Segment	Name	Type
S1	GND	V33	P9	V5	
S2	A+	V33	P10	GND	
S3	A-	V33	P11	DAS/DSS	
S4	GND	V33	P12	GND	
S5	B-	V33	P13	V12	
S6	B+	V33	P14	V12	
S7	GND	V33	P15	V12	
			P8	V5	

SPECIFICATIONS:
 Material:
 Insulator: Hi-Temp Thermoplastic, rated UL 94V-0
 Insulator color: Black
 Contacts: Phosphor Bronze
 Plating:
 15u" Gold over Nickel underplate on contact area,
 Tin over Nickel underplate on solder tails
 Electrical:
 Current rating: 1.5 Ampere per Contact
 Contact resistance: 30 mohms max
 Insulation resistance: 1,000 Mohms min
 Dielectric withstanding voltage: 500 VAC for 1 minute
 Mechanical:
 Insertion force: 45N max.
 Withdrawal force: 10N min.
 Durability: 500 cycles
 Temperature Rating:
 Operating temperature: -55°C to +85°C
 Environmental:
 Lead free, RoHS compliant

UNLESS OTHERWISE SPECIFIED
 ALL DIMENSIONS ARE IN INCHES [MM]
 TOLERANCES: EXCEPT AS NOTED
 INCHES
 .X ± .10 Ø.X ± .10
 .XX ± .020 Ø.XX ± .015
 .XXX ± .015 Ø.XXX ± .010
 APPROVALS

ADAM TECH
 909 Rahway Avenue, Union, NJ 07083
 Phone: 908-687-5000 Fax: 908-687-5710
 TITLE: SATA CONNECTOR, 7P + 15P, RIGHTANGLE,
 REVERSE SURFACE MOUNT FEMALE

APPROVALS	DATE	SIZE	PART NO.	REV.
DRAWN	HR	8/18/15		
CHECKED	NC	8/18/15		
APPROVED				
REF: S00078T	SCALE: NTS	SHEET 1 OF 1		

6 5 4 3 2 1

