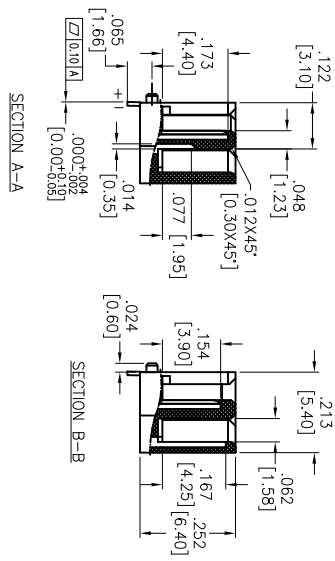
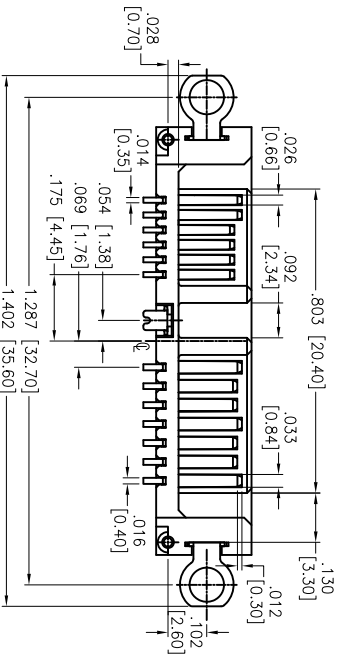
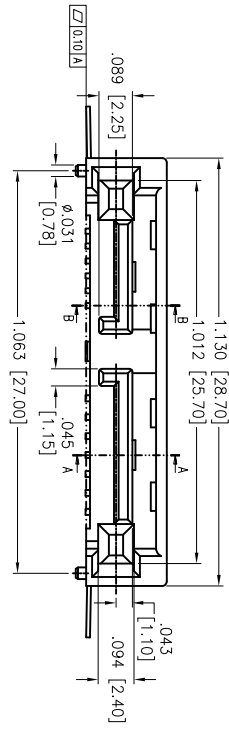
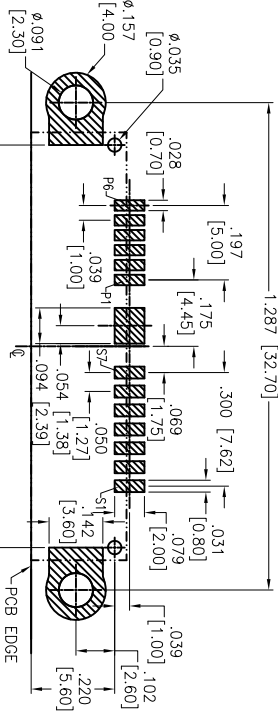
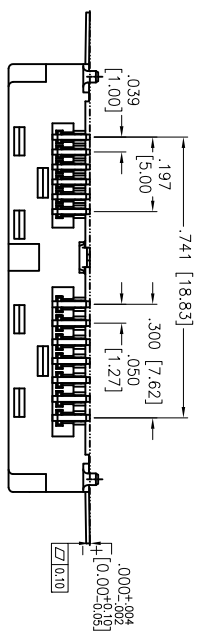


Rev	AWO #	Description	Date	Appr
-		RELEASED	4/1/15	

APPROVED: _____
 DATE: _____ TITLE: _____



Pin Number	Signal Name	Pin Number	Power Line Designation
S1	GND	P1	DP
S2	A+	P2	+5V
S3	A-	P3	+5V
S4	GND	P4	MD
S5	B-	P5	GND
S6	B+	P6	GND
S7	GND		



RECOMMENDED PCB LAYOUT

PACKAGED ON TAPE & REEL

SPECIFICATIONS:

Material:
 Insulator: Hi-Temp Thermoplastic, rated UL 94V-0
 Insulator color: Black
Contacts: Brass
 Harpoon: Brass, Tin plated
Plating:
 Gold over Nickel underplate on contact area,
 Tin over Nickel underplate on solder tails
Electrical:
 Current rating: 1.5 Amps per contact
 Contact resistance: 30 mohms max
 Insulation resistance: 1,000 Mohms min
 Dielectric withstanding voltage: 500 VAC for 1 minute
Temperature Rating:
 Operating temperature: -55°C to +85°C
Environmental:
 Lead free, RoHS compliant

ADAM TECH

909 Railway Avenue, Union, NJ 07083
 Phone: 908-687-5000 Fax: 908-687-5710

SATA CONNECTOR, 7P + 6P
 SMT TYPE, MALE, TAPE & TEEL

UNLESS OTHERWISE SPECIFIED ALL DIMENSIONS ARE INCHES [MM]	
.X	± .10
.XX	± .020
.XXX	± .015
.XXX	± .010
APPROVALS	
DRAWN	HR
CHECKED	AC
DATE	DATE

SIZE	PART NO.	TITLE
X	SATA-G4+P-SMT-RA-T/R	SATA CONNECTOR, 7P + 6P SMT TYPE, MALE, TAPE & TEEL
REF: S00078T	SCALE: NTS	REV.

