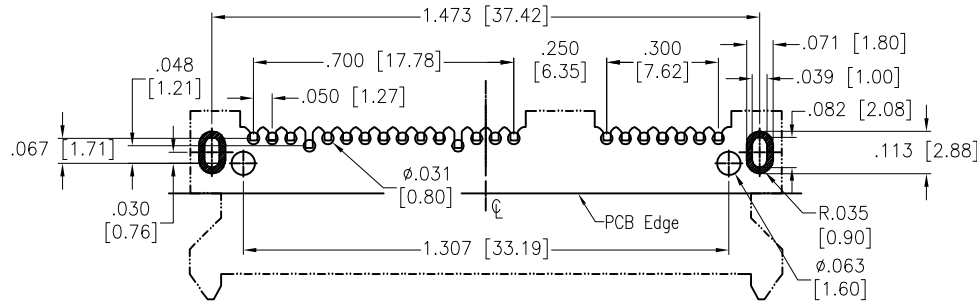


APPROVED: \_\_\_\_\_  
 DATE: \_\_\_\_\_ TITLE: \_\_\_\_\_

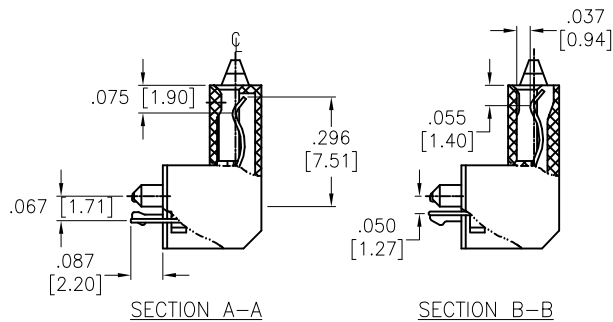
Rev	AWO #	Description	Date	Appr
-		RELEASED	12/22/15	

Pin NO.	Signal Name
S1	GND
S2	A+
S3	A-
S4	GND
S5	B-
S6	B+
S7	GND

Pin NO.	Power Name	Pin NO.	Power Name
P1	V33	P9	V5
P2	V33	P10	GND
P3	V33	P11	DAS/DSS
P4	GND	P12	GND
P5	GND	P13	V12
P6	GND	P14	V12
P7	V5	P15	V12
P8	V5		

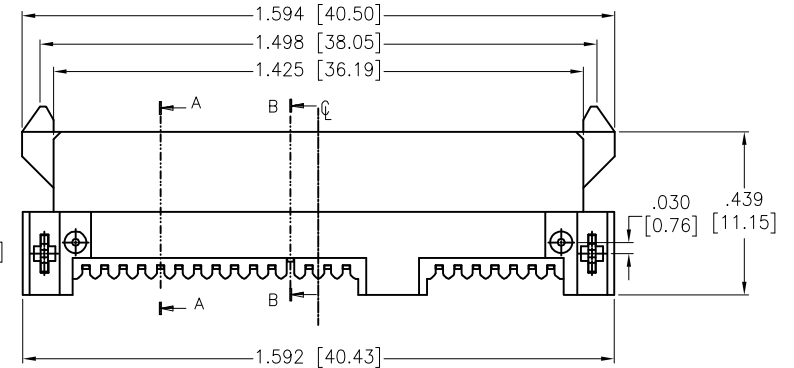
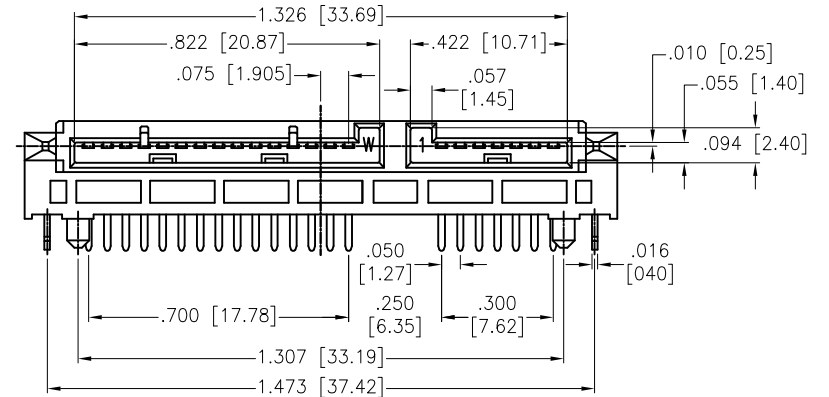
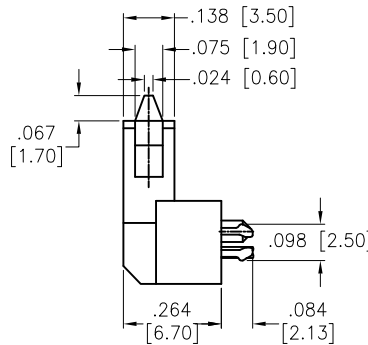


RECOMMENDED PCB LAYOUT



SECTION A-A

SECTION B-B



**SPECIFICATIONS:**

Material:  
 Insulator: Hi-Temp Thermoplastic, rated UL 94V-0  
 Insulator color: Black  
 Contacts: Phosphor Bronze  
 Harpoon: Brass, Tin plated  
 Plating:  
 15u" Gold over Nickel underplate on contact area,  
 Tin over Nickel underplate on solder tails

Electrical:  
 Current rating: 1.5 Amps per Contact  
 Contact resistance: 30 mohms max  
 Insulation resistance: 1,000 Mohms min  
 Dielectric withstanding voltage: 500 VAC for 1 minute

Mechanical:  
 Insertion force: 45N max.  
 Withdrawal force: 10N min.  
 Durability: 500 cycles  
 Temperature Rating:  
 Operating temperature: -55°C to +85°C

Environmental:  
 Lead free, RoHS compliant



UNLESS OTHERWISE SPECIFIED  
 ALL DIMENSIONS ARE INCHES [MM]  
 TOLERANCES: EXCEPT AS NOTED

INCHES		HOLES	
.X	± .10	∅X	± .10
.XX	± .020	∅.XX	± .015
.XXX	± .015	∅.XXX	± .010

**ADAM TECH**

909 Rahway Avenue, Union, NJ 07083  
 Phone: 908-687-5000 Fax: 908-687-5710

TITLE: **SATA CONNECTOR, 7P + 15P, 90°  
 THRU HOLE TYPE, FEMALE**

APPROVALS		DATE
DRAWN	HR	12/22/15
CHECKED	MW	12/22/15
APPROVED		

SIZE <b>X</b>	PART NO. <b>SATA-H-PM-RT-15</b>	REV. -
REF: S00078T	SCALE: NTS	SHEET 1 OF 1