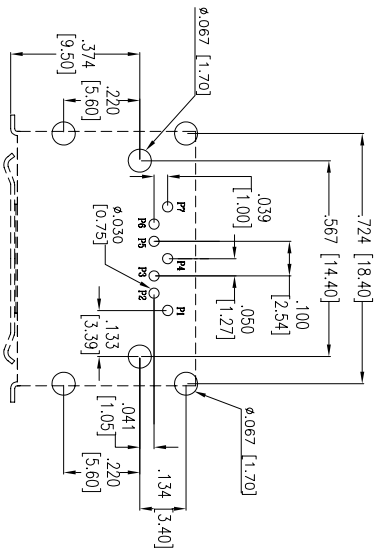
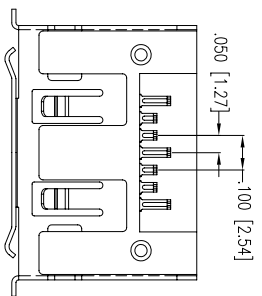
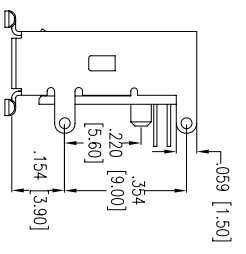
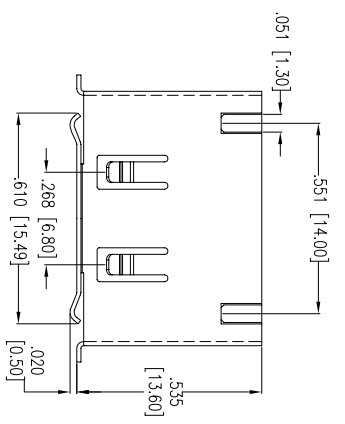
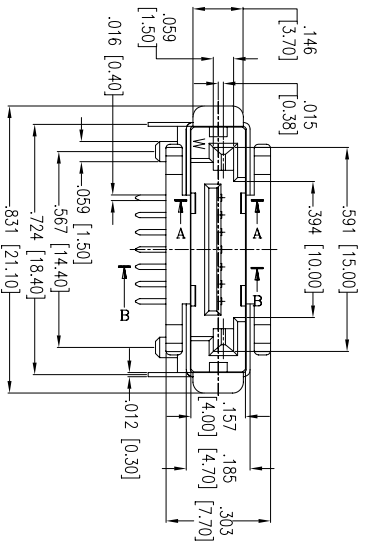


Rev	AWO #	Description	Date	Appr
-		RELEASED	7/10/08	

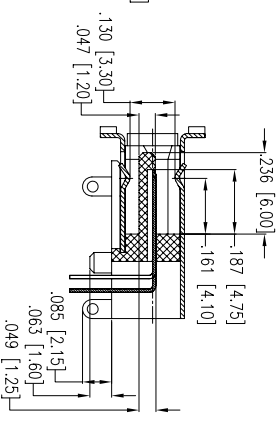
APPROVED: _____
 DATE: _____ TITLE: _____



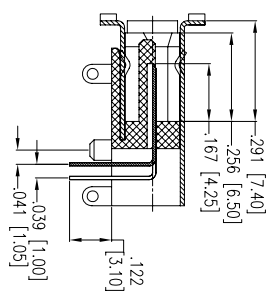
Recommended PCB Layout



SECT A-A



SECT B-B



B

SPECIFICATIONS:

Material: Insulator: LCP, rated UL 94V-0
 Insulator color: Black
 Contacts: Brass

Plating: Gold Flash over Nickel underplate on contact area,
 Tin over Copper underplate on solder tails

Electrical: Operating voltage: 100 VAC max
 Current rating: 1.5 Amps max
 Contact resistance: 30 mohms max
 Insulation resistance: 1000 Mohms min @ 500 VDC
 Dielectric withstanding voltage: 500 VAC for 1 minute

Temperature Rating: Operating temperature: -55° C to +125° C
 Environmental: Lead free, RoHS compliant
 Recommended soldering temp: 260° C for 5 seconds



UNLESS OTHERWISE SPECIFIED ALL DIMENSIONS ARE INCHES [MM]	
TOLERANCES: EXCEPT AS NOTED	
INCHES	HOLES
.X ± .10	Ø.X ± .10
.XX ± .020	Ø.XXX ± .015
.XXX ± .015	Ø.XXXX ± .010
APPROVALS	DATE
DRAWN	DY
CHECKED	
APPROVED	

ADAM TECH
 909 Rahway Avenue, Union, NJ 07083
 Phone: 908-687-5000 Fax: 908-687-5710

TITLE: SATA CONNECTOR, MALE, 7PIN,
 VERTICAL, 3.10 MM PCB TAIL LENGTH

SIZE	PART NO.	REV.
X	SATA-J-NP-RT-P-S-PG-1	-
REF:	SCALE: NTS	SHEET 1 OF 1

6

5

4

3

2

1

A

B

C

D