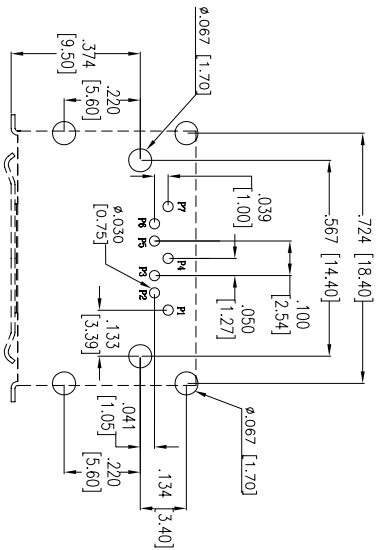
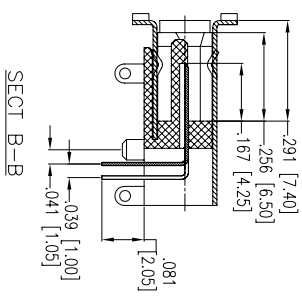
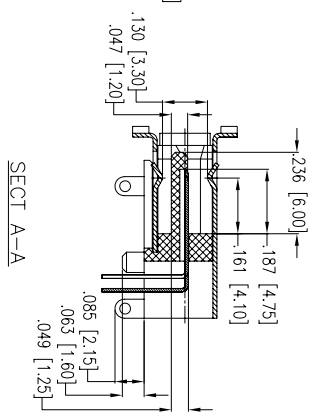
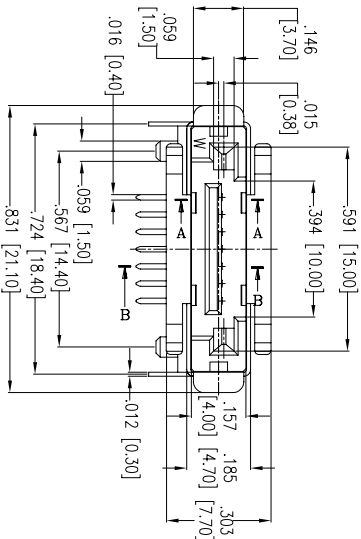
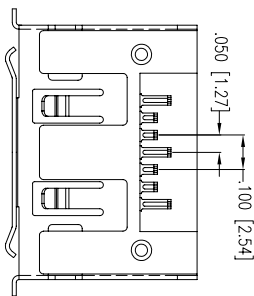
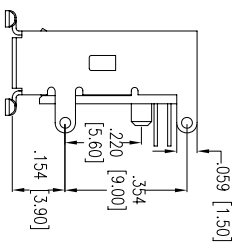
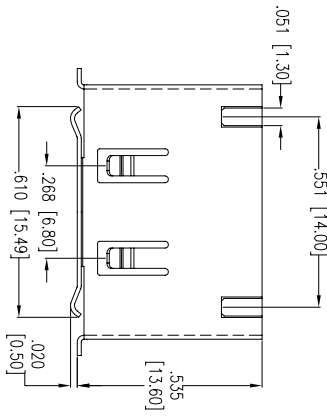


Rev	AWO #	Description	Date	Appr
-		RELEASED	7/10/08	

APPROVED: _____
 DATE: _____ TITLE: _____



Recommended PCB Layout

SPECIFICATIONS:

- Material: Insulator: LCP, rated UL 94V-0
- Insulator color: Black
- Contacts: Brass
- Plating: Gold Flash over Nickel underplate on contact area, Tin over Copper underplate on solder tails

- Electrical: Operating voltage: 100 VAC max
- Current rating: 1.5 Amps max
- Contact resistance: 30 mohms max
- Insulation resistance: 1000 Mohms min @ 500 VDC
- Dielectric withstanding voltage: 500 VAC for 1 minute
- Temperature Rating: Operating temperature: -55° C to +125° C
- Environmental: Lead free, RoHS compliant
- Recommended soldering temp: 260° C for 5 seconds

UNLESS OTHERWISE SPECIFIED
 ALL DIMENSIONS ARE INCHES [MM]
 TOLERANCES: EXCEPT AS NOTED
 INCHES: .10 ±.10
 .XX ±.020
 .XXX ±.015
 .XXX ±.015
 HOLES: Ø.X ±.10
 Ø.XXX ±.015
 Ø.XXX ±.010

APPROVALS	DATE
DRAWN DY	7/10/08
CHECKED	
APPROVED	

ADAM TECH

909 Rahway Avenue, Union, NJ 07083
 Phone: 908-687-5000 Fax: 908-687-5710

TITLE: SATA CONNECTOR, MALE, 7PIN,
 VERTICAL, 2.05 MM PCB TAIL LENGTH

SIZE	PART NO.	REV.
X	SATA-JNP-RT-P-S-PG-2	-

REF: SCALE: NTS SHEET 1 OF 1