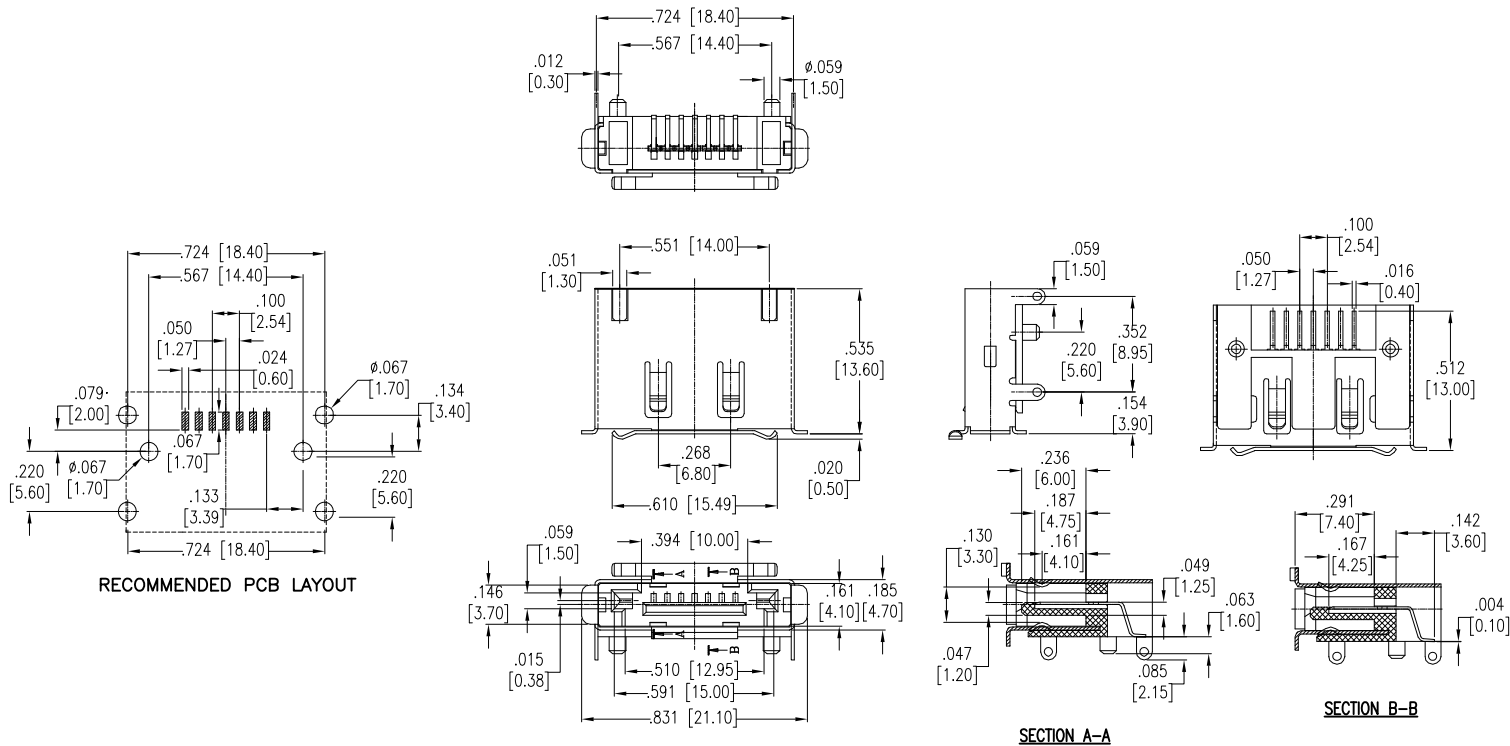


APPROVED: _____
 DATE: _____ TITLE: _____

Rev	AWO #	Description	Date	Appr
-		RELEASED	1/27/16	



SPECIFICATIONS:

Material:
 Insulator: Hi-temp thermoplastic, rated UL 94V-0
 Insulator color: Black
 Contacts: Brass
 Plating:
 15u" Gold over Nickel underplate on contact area,
 Tin over Copper underplate on PCB tails.

Electrical:
 Operating voltage: 100 VAC max
 Current rating: 1.5 Amps max
 Contact resistance: 30 mohms max
 Insulation resistance: 1,000 Mohms min @ 500 VDC
 Dielectric withstanding voltage: 500 VAC for 1 minute
 Temperature Rating:
 Operating temperature: -55°C to +125°C

Environmental:
 Lead free, RoHS compliant.



PACKAGED ON TAPE & REEL

UNLESS OTHERWISE SPECIFIED ALL DIMENSIONS ARE INCHES [MM] TOLERANCES: EXCEPT AS NOTED			
INCHES		HOLES	
.X ± .10	Ø.X ± .10		
.XX ± .020	Ø.XX ± .015		
.XXX ± .015	Ø.XXX ± .010		
APPROVALS		DATE	
DRAWN	HR	1/27/16	
CHECKED	LL	1/27/16	
APPROVED			

ADAM TECH

909 Rahway Avenue, Union, NJ 07083
 Phone: 908-687-5000 Fax: 908-687-5710

TITLE eSATA CONNECTOR, RIGHT ANGLE SURFACE MOUNT, 15U" SEL GOLD PLATED		
SIZE	PART NO.	REV.
X	SATA-J-NP-SMT-P-S-PG-15-T/R	-
REF:	S00078T	SCALE: NTS SHEET 1 OF 2

6

5

4

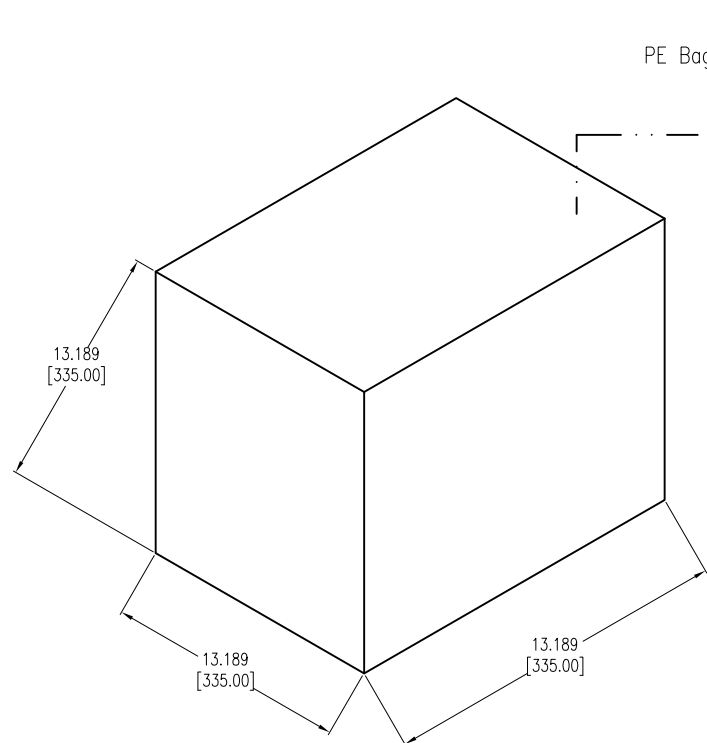
3

2

1

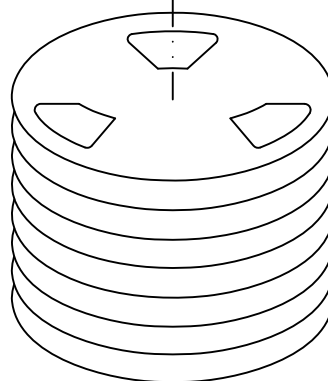
APPROVED: _____
 DATE: _____ TITLE: _____

Rev	AWO #	Description	Date	Appr
SEE SHT 1 OF 2 FOR REVISION				



1680 PCS / CARTON

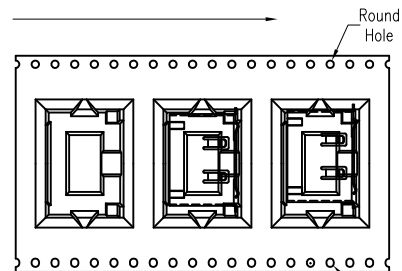
PE Bag: 23.622X39.370X.002
 [600.00X1000.00X0.05]



PC Reel: $\varnothing 12.992 \times \varnothing 3.937$
 [330.00X100.00]

7 REEL / CARTON

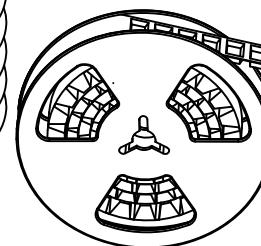
PULL-OUT DIRECTION



Round Hole

Oval Hole

Front Blank for 12 Pcs
 Bottom Blank for 12 Pcs



PULL-OUT DIRECTION

Black PS Carrier Tape: 1.732X249.449X.020
 [44.00X6336.00X0.50]

PET Cover Tape: 1.476X249.449X.002
 [37.50X6336.00X0.05]

240 PCS / REEL



2pcs Clapboard: 13.071X13.071X.118
 [332.00X332.00X3.00]
 (Place at Up and Down)

UNLESS OTHERWISE SPECIFIED
 ALL DIMENSIONS ARE INCHES [MM]
 TOLERANCES: EXCEPT AS NOTED
 INCHES HOLES

.X ± .10	∅.X ± .10
.XX ± .020	∅.XX ± .015
.XXX ± .015	∅.XXX ± .010

APPROVALS		DATE
DRAWN	HR	1/27/16
CHECKED	LL	1/27/16
APPROVED		

ADAM TECH

909 Rahway Avenue, Union, NJ 07083
 Phone: 908-687-5000 Fax: 908-687-5710

TITLE
 eSATA CONNECTOR, RIGHT ANGLE
 SURFACE MOUNT, 15U" SEL GOLD PLATED

SIZE	PART NO.	REV.
X	SATA-J-NP-SMT-P-S-PG-15-T/R	-
REF: S00078T	SCALE: NTS	SHEET 2 OF 2

6

5

4

3

2

1