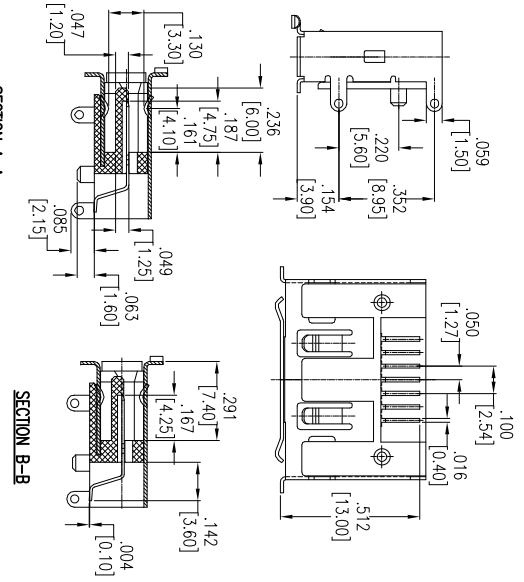
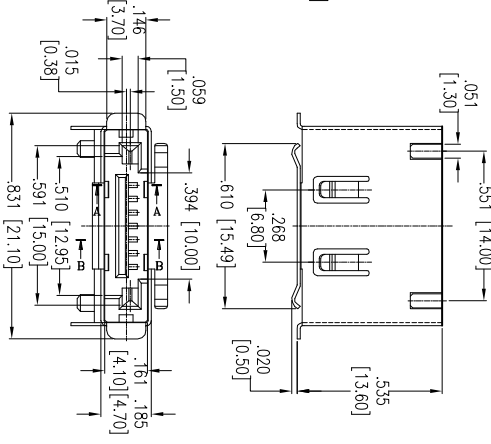
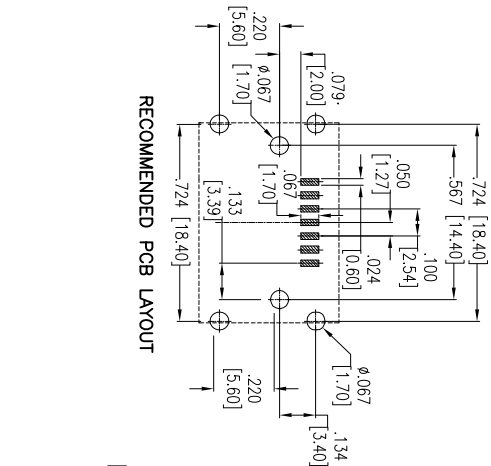
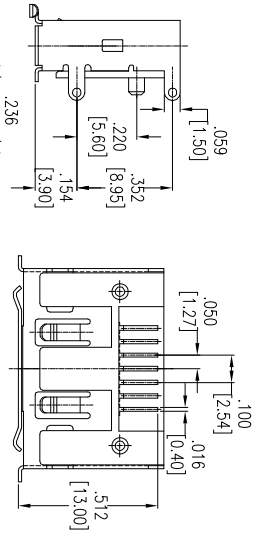
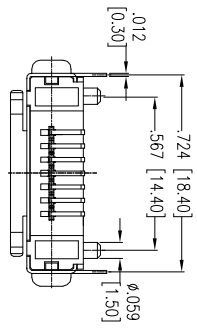


Rev	AWO #	Description	Date	Appr
-	4439	RELEASED	1/27/16	

APPROVED: _____

DATE: _____ TITLE: _____



B

SPECIFICATIONS:

- Material: Insulator: Hi-temp thermoplastic, rated UL 94V-0
- Insulator color: Black
- Contacts: Brass
- Shell: Nickel Plated Brass
- Plating: Gold over Nickel underplate on contact area, Tin over Copper underplate on PCB tails.

- Electrical: Operating voltage: 100 VAC max
- Current rating: 1.5 Amps max
- Contact resistance: 30 mohms max
- Insulation resistance: 1,000 Mohms min @ 500 VDC
- Dielectric withstanding voltage: 500 VAC for 1 minute
- Temperature Rating: Operating temperature: -55°C to +125°C
- Recommended Soldering Temp: 260°C for 5 Sec.

A

Environmental: Lead free, RoHS compliant.



PACKAGED ON TAPE & REEL

UNLESS OTHERWISE SPECIFIED
ALL DIMENSIONS ARE INCHES [MM]
TOLERANCES: EXCEPT AS NOTED
INCHES HOLES
.X .10 Ø.X ±.10
.XX .020 Ø.XXX ±.015
.XXX .015 Ø.XXX ±.010

ADAM TECH
909 Railway Avenue, Union, NJ 07083
Phone: 908-687-5000 Fax: 908-687-5710

APPROVALS		DATE	TITLE	
DRAWN	HR	1/27/16	SATA CONNECTOR, RIGHT ANGLE SURFACE MOUNT	
CHECKED	LL	1/27/16	SATA-J-NP-SMT-P-S-PG-T/R	
APPROVED			SIZE	PART NO.
			X	SATA-J-NP-SMT-P-S-PG-T/R
			REF:	S00078T
			SCALE:	NTS
			SHEET	1 OF 2

A

B

C

D

6

5

4

3

2

1

6

5

4

3

2

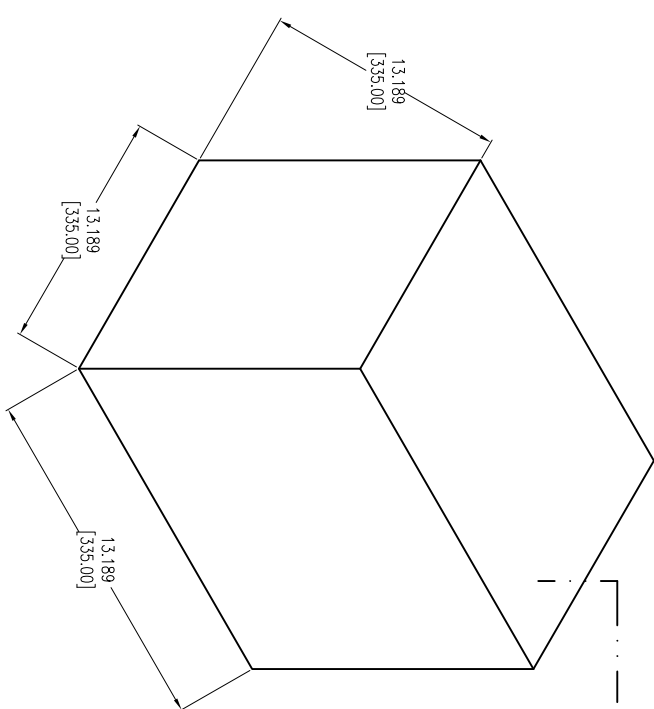
1

Rev	AWO #	Description	Date	Appr
		SEE SH1 1 OF 2 FOR REVISION		

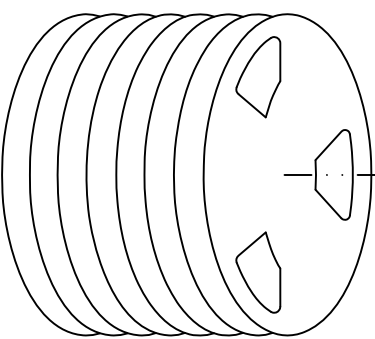
APPROVED: _____

DATE: _____ TITLE: _____

PE Bag: 23.622X39.370X.002
 [600.00X1000.00X0.05]

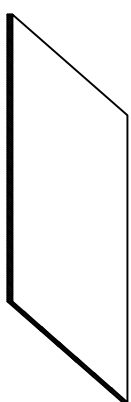


1680 PCS / CARTON



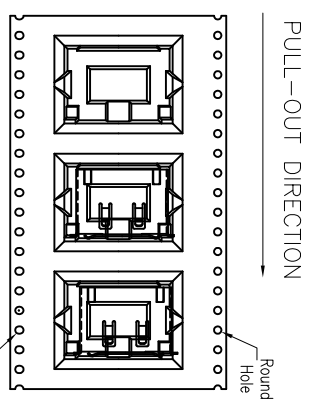
PC Reel: ø12.992Xø3.937
 [330.00X100.00]

7 REEL / CARTON



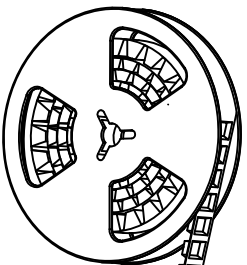
2pcs Clashboard: 13.071X13.071X.118
 [332.00X332.00X3.00]
 (Place at Up and Down)

240 PCS / REEL



PULL-OUT DIRECTION

Round Hole



PULL-OUT DIRECTION

Oval Hole

Front Blank for 12 Pcs
 Bottom Blank for 12 Pcs

Block PS Carrier Tape: 1.732X249.449X.020
 [44.00X6336.00X0.50]

PET Cover Tape: 1.476X249.449X.002
 [37.50X6336.00X0.05]

6

5

4

3

2

1

UNLESS OTHERWISE SPECIFIED ALL DIMENSIONS ARE INCHES [MM]			
TOLERANCES: EXCEPT AS NOTED			
INCHES	HOLES		
.X ± .10	Ø.X	± .10	
.XX ± .020	Ø.XXX	± .015	
.XXX ± .015	Ø.XXXX	± .010	
APPROVALS		DATE	
DRAWN	HR	1/27/16	
CHECKED	LL	1/27/16	
APPROVED			

ADAM TECH
 909 Railway Avenue, Union, NJ 07083
 Phone: 908-687-5000 Fax: 908-687-5710

TITLE: SATA CONNECTOR, RIGHT ANGLE SURFACE MOUNT

SIZE: PART NO. X SATA-J-NP-SMT-P-S-PG-T/R REV. -

REF: S00078T SCALE: NTS SHEET 2 OF 2

