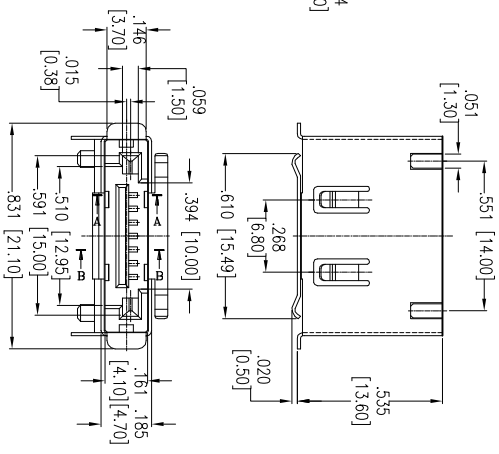
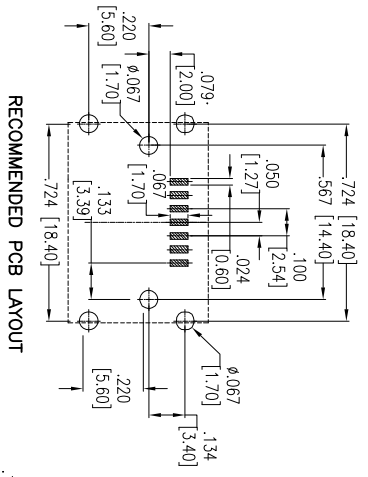
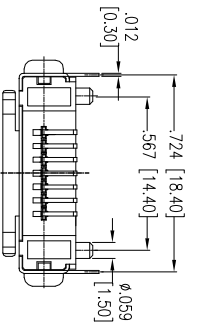
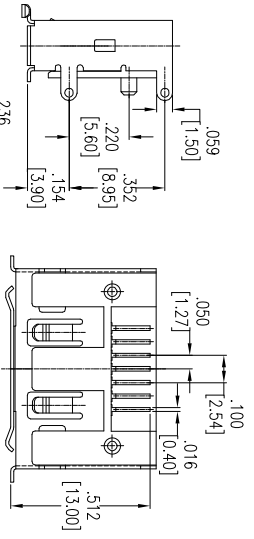


APPROVED: _____
 DATE: _____ TITLE: _____

Rev	AWO #	Description	Date	Appr
-	4439	RELEASED	10/12/06	
A	4439	REVISED SHAPE	3/16/12	
B		UPDATE SHAPE	12/19/14	AV/LL



SECTION A-A



SECTION B-B

SPECIFICATIONS:
 Material: Insulator: Hi-temp thermoplastic, rated UL 94V-0
 Insulator color: Black
 Contacts: Brass
 Plating: Gold over Nickel underplate on contact area,
 Tin over Copper underplate on PCB tails.

Electrical:
 Operating voltage: 100 VAC max
 Current rating: 1.5 Amps max
 Contact resistance: 30 mohms max
 Insulation resistance: 1,000 Mohms min @ 500 VDC
 Dielectric withstanding voltage: 500 VAC for 1 minute

Temperature Rating:
 Operating temperature: -55°C to +125°C
 Environmental: Lead free, RoHS compliant.



ADAM TECH

909 Rahway Avenue, Union, NJ 07083
 Phone: 908-687-5000 Fax: 908-687-5710

SATA CONNECTOR, RIGHT ANGLE
 SURFACE MOUNT

UNLESS OTHERWISE SPECIFIED ALL DIMENSIONS ARE INCHES [MM]	
TOLERANCES: EXCEPT AS NOTED	
INCHES	
.X	± .10
.XX	± .020
.XXX	± .015
.XXXX	± .010
HOLES	
Ø.X	± .10
Ø.XX	± .015
Ø.XXX	± .010
APPROVALS	
DRAWN	BW
CHECKED	
APPROVED	
DATE: 12/12/06	

SIZE	PART NO.	REV.
X	SATA-J-NP-SMT-P-S-PG	B
REF:	S00078T	
SCALE:	NTS	
SHEET	1 OF 1	