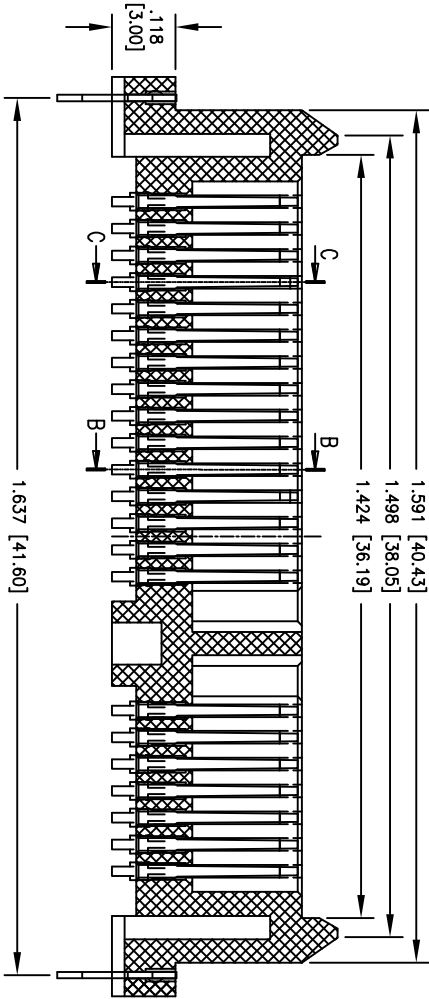
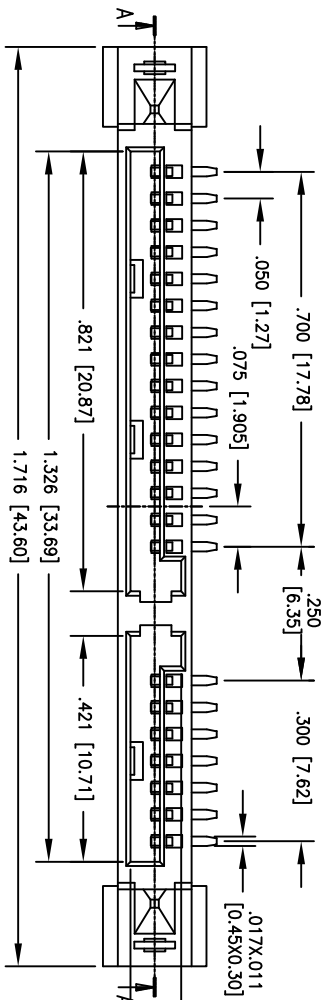
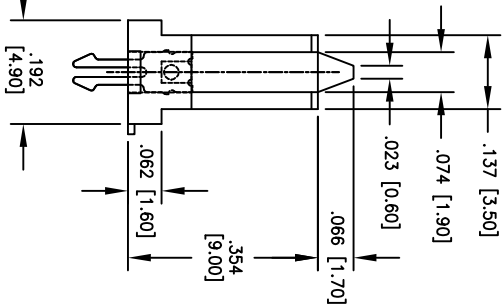


APPROVED: \_\_\_\_\_  
 DATE: \_\_\_\_\_ TITLE: \_\_\_\_\_

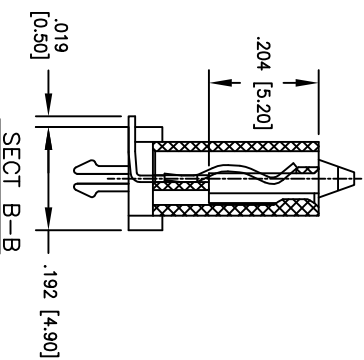
Rev	AWO #	Description	Date	Appr
-		RELEASED	12/12/06	
A		REVISED DIM.	9/03/09	



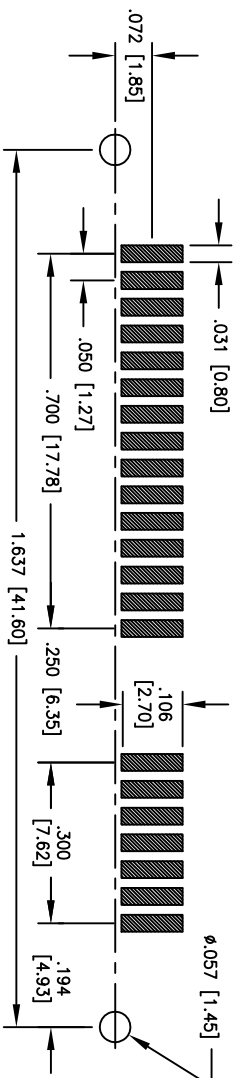
SECT A-A



SECT B-B



SECT C-C



PCB LAYOUT TOP VIEW

**SPECIFICATIONS:**

Material: Insulator: LCP, rated UL 94V-0

Insulator color: Black

Contacts: Phosphor Bronze

Plating: Gold Flash over Nickel underplate on contact area, Tin over Copper underplate on solder tails

Electrical: Operating voltage: 100 VAC max

Current rating: 1.5 Amps max

Contact resistance: 30 mohms max

Insulation resistance: 1,000 Mohms min @ 500 VDC

Dielectric withstanding voltage: 500 VAC for 1 minute

Temperature Rating: Operating temperature: -55°C to +125°C

Environmental: Lead free, RoHS compliant

Recommended soldering temp: 260°C for 5 sec.

A

B

C

D

A

C

D

**ADAM TECH**

909 Railway Avenue, Union, NJ 07083  
 Phone: 908-687-5000 Fax: 908-687-5710

TITLE: SATA 7+15P DIP SINGLE ROW TYPE  
 FEMALE

UNLESS OTHERWISE SPECIFIED ALL DIMENSIONS ARE INCHES [MM] TOLERANCES: EXCEPT AS NOTED INCHES		DRAWN: BW		DATE: 12/11/06	
.X ±.10	ØX ±.10	CHECKED	APPROVALS	SIZE: X	PART NO.: SATAN-PM-VT-SMT-02
.XX ±.020	ØXX ±.015	APPROVED	DATE	SCALE: NTS	SHEET 1 OF 1
.XXX ±.015	ØXXX ±.010				

