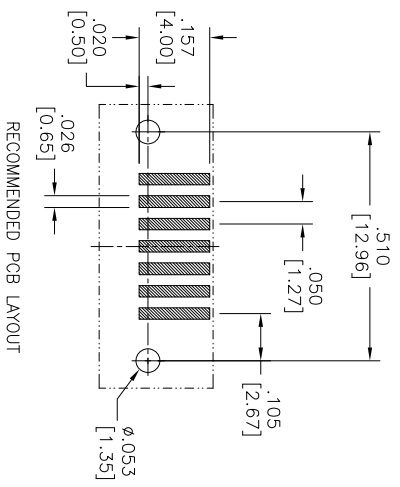
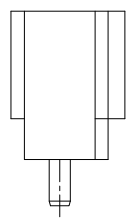
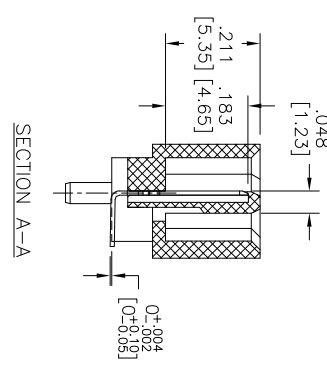
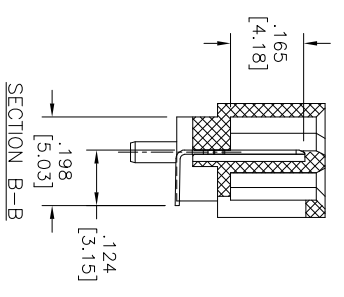
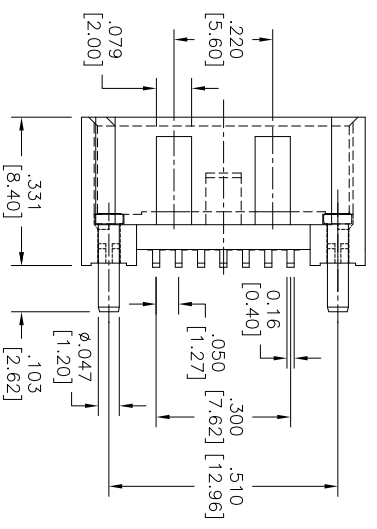
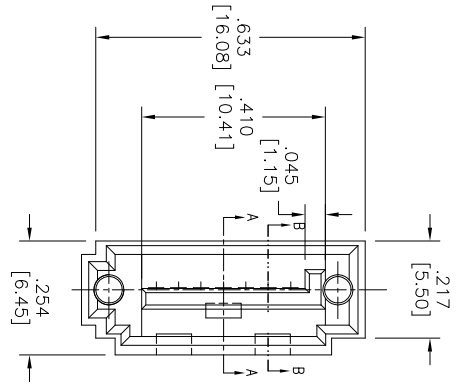


APPROVED: _____
 DATE: _____ TITLE: _____

Rev	AWO #	Description	Date	Appr
-		RELEASED	8/8/11	
A		REVISED DIM. & SPEC.	3/26/14	AV/KW



Signal Segment	Name	Type
S1	GND	GND
S2	A+	A+
S3	A-	A-
S4	GND	GND
S5	B-	B-
S6	B+	B+
S7	GND	GND

SPECIFICATIONS:

Material:
 Insulator: Hi-temp thermoplastic, rated UL 94V-0
 Insulator color: Black
 Contacts: Brass
 Board Lock: Brass, Tin plated
 Plating:
 Gold flash over Nickel underplate on mating area,
 Tin over Copper underplate on tails
Electrical:
 Current rating: 1.5 Amps max.
 Contact resistance: 30 mohms max.
 Insulation resistance: 1,000 Mohms min @ 500 VAC
 Dielectric withstanding voltage: 500 VAC for 1 minute
Mechanical:
 Insertion force: 45N max
 Withdrawal force: 10N min
 Durability: 500 cycles
Temperature Rating:
 Operating temperature: -55°C to +85°C
Environmental:
 Lead free, RoHS compliant.

ADAM TECH
 909 Rahway Avenue, Union, NJ 07083
 Phone: 908-687-5000 Fax: 908-687-5710

TITLE: SATA 7P STRAIGHT DIP A TYPE SHIELD
 ROUNDED COPPER POLE (THROUGH TYPE) MALE

UNLESS OTHERWISE SPECIFIED ALL DIMENSIONS ARE INCHES [MM]	
TOLERANCES: EXCEPT AS NOTED	
.X	±.10
.XX	±.020
.XXX	±.015
.XXX	±.010
APPROVALS	
DRAWN	TW
CHECKED	AV
APPROVED	
DATE	8/8/11

SIZE	PART NO.	REV.
X	SATA-P-PR-1-SMT	A
REF:	S00078T	SCALE: NTS
SHEET 1 OF 1		

