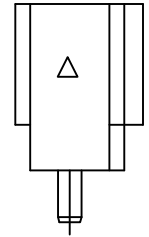
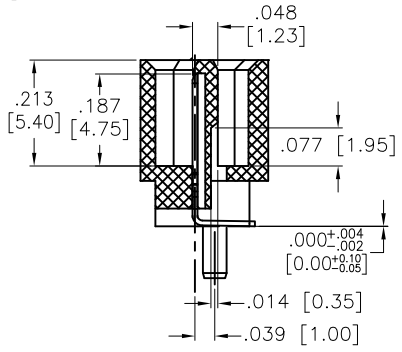
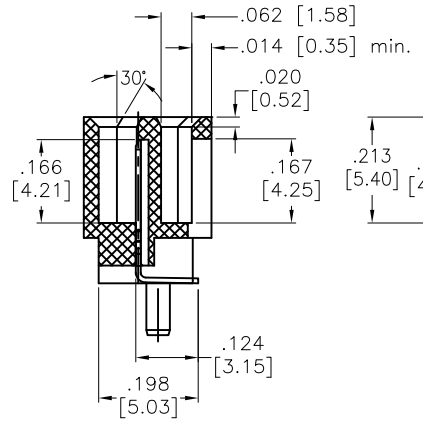
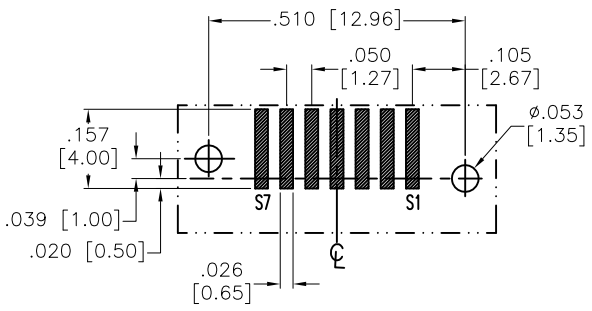
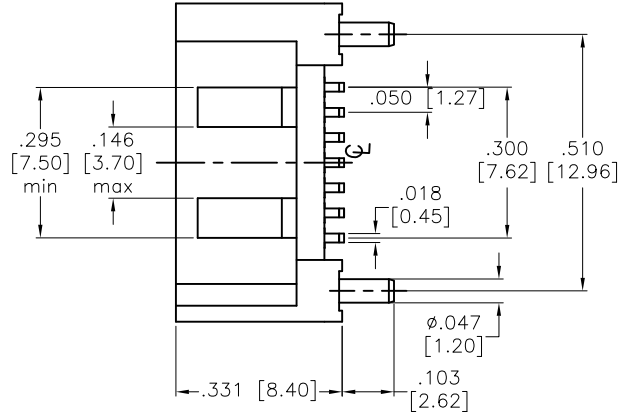
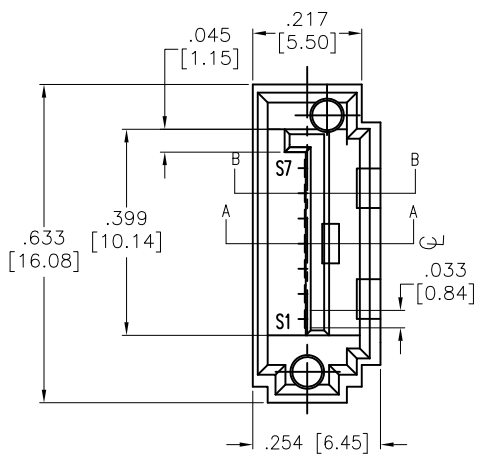


Rev	AWO #	Description	Date	Appr
-		RELEASED	8/22/16	

APPROVED: \_\_\_\_\_  
DATE: \_\_\_\_\_ TITLE: \_\_\_\_\_

Signal Segment	
Name	Type
S1	GND
S2	A+
S3	A-
S4	GND
S5	B-
S6	B+
S7	GND



**SPECIFICATIONS:**  
Material:  
Insulator: Hi-temp thermoplastic, rated UL 94V-0  
Insulator color: Black  
Contacts: Brass  
Boardlock: Brass, Tin plated  
**Plating:**  
15u" Gold over Nickel underplate on mating area,  
Tin over Nickel underplate on tails  
**Electrical:**  
Current rating: 1.5 Ampsere per Contact  
Contact resistance: 30 mohms max.  
Insulation resistance: 1,000 Mohms min  
Dielectric withstanding voltage: 500 VAC for 1 minute  
**Mechanical:**  
Insertion force: 45N max  
Withdrawal force: 10N min  
Durability: 500 Cycles  
**Temperature Rating:**  
Operating temperature: -55°C to +85°C  
Environmental:  
Lead free, RoHS compliant.



UNLESS OTHERWISE SPECIFIED  
ALL DIMENSIONS ARE INCHES [MM]  
TOLERANCES: EXCEPT AS NOTED

INCHES		HOLES	
.X	± .10	Ø.X	± .10
.XX	± .020	Ø.XX	± .015
.XXX	± .015	Ø.XXX	± .010

APPROVALS		DATE
DRAWN	HR	8/22/16
CHECKED	CH	8/22/16
APPROVED		

**ADAM TECH**  
909 Rahway Avenue, Union, NJ 07083  
Phone: 908-687-5000 Fax: 908-687-5710

TITLE: **SATA 7P STRAIGHT DIP B TYPE SHIELD  
ROUNDED COPPER POLE(THROUGH TYPE) MALE**

SIZE	PART NO.	REV.
X	SATA-P-PR-SMT-15	-

REF: S00078T SCALE: NTS SHEET 1 OF 1

6 5 4 3 2 1

6 5 4 3 2 1