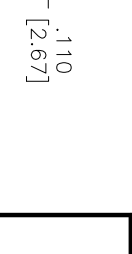
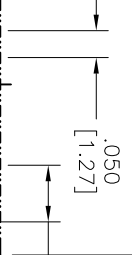
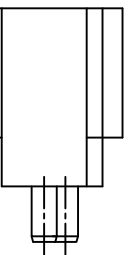
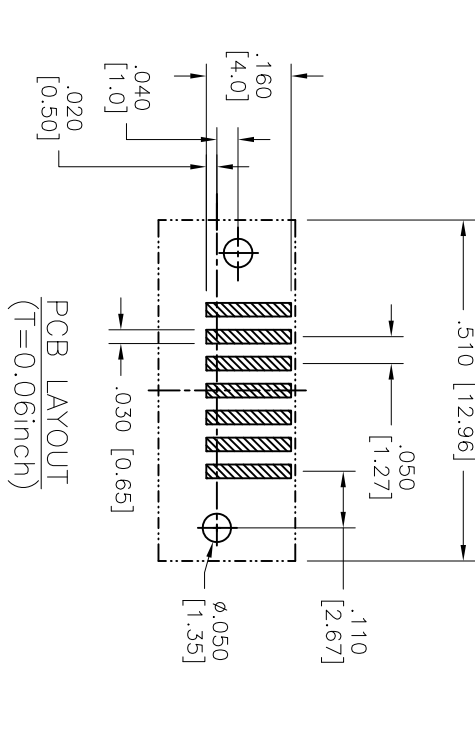
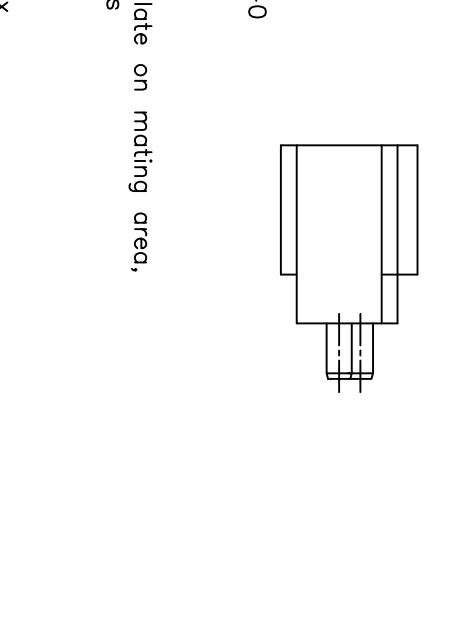
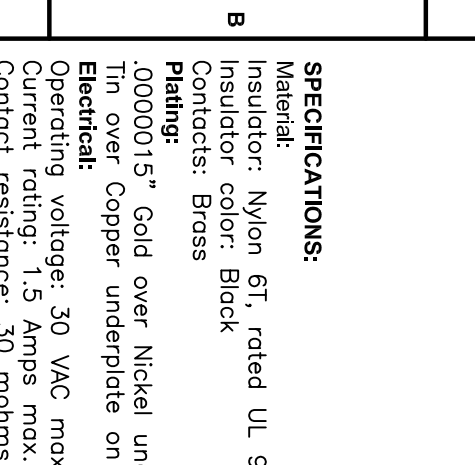
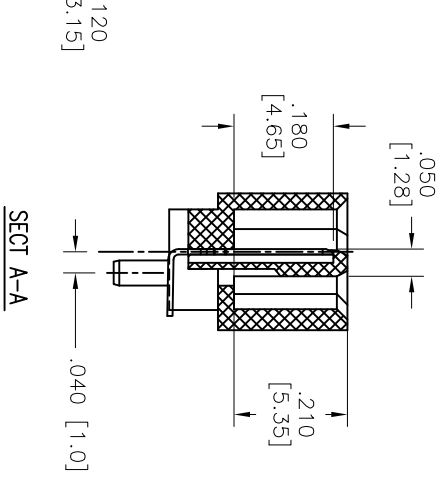
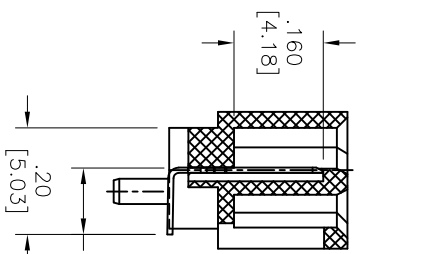
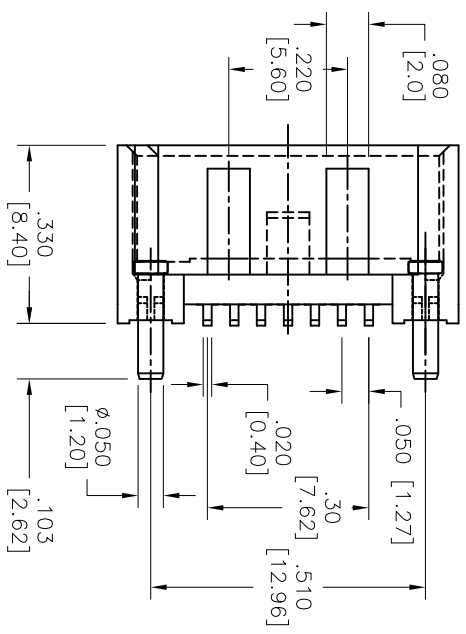
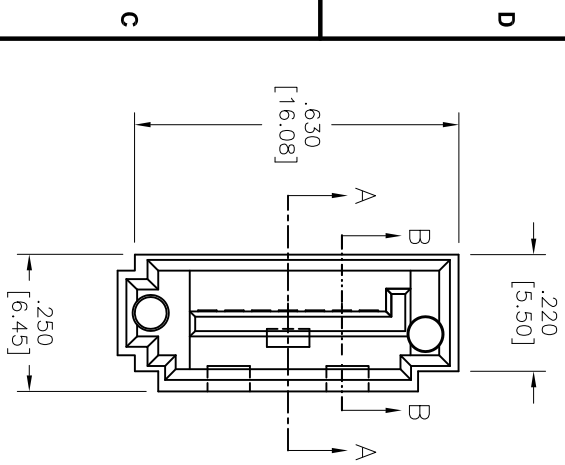


Rev	AWO #	Description	Date	Appr
-		Released	10/18/10	SS

APPROVED: _____

DATE: _____ TITLE: _____



SPECIFICATIONS:

Material:
 Insulator: Nylon 6T, rated UL 94V-0
 Insulator color: Black
 Contacts: Brass

Plating:
 .0000015" Gold over Nickel underplate on mating area,
 Tin over Copper underplate on tails

Electrical:
 Operating voltage: 30 VAC max
 Current rating: 1.5 Amps max.
 Contact resistance: 30 mohms max.
 Insulation resistance: 1,000 Mohms min @ 500 VAC
 Dielectric withstanding voltage: 500 VAC for 1 minute

Mechanical:
 Insertion force: 45N max
 Withdrawal force: 10N min
 Durability: 500 cycles

Temperature Rating:
 Operating temperature: -55°C to +125°C

Environmental:
 Lead free, RoHS compliant.
 Recommended soldering temp: 260°C for 5 sec.



ADAM TECH

909 Rahway Avenue, Union, NJ 07083
 Phone: 908-687-5000 Fax: 908-687-5710

TITLE: SATA 7P STRAIGHT DIP B TYPE SHIELD
 ROUNDED COPPER POLE (THROUGH TYPE) MALE

UNLESS OTHERWISE SPECIFIED ALL DIMENSIONS ARE INCHES [MM]		TOLERANCES: EXCEPT AS NOTED	
INCHES		HOLDS	
.X	± .10	ØX	± .10
.XX	± .020	ØXX	± .015
.XXX	± .015	ØXXX	± .010
APPROVALS		DATE	
DRAWN	SS	10/18/10	
CHECKED			
APPROVED			
SIZE	PART NO.	SCALE	REV.
X	SATA-P-PR-SMT-G01	INTS	
REF:		SHEET	1 OF 1