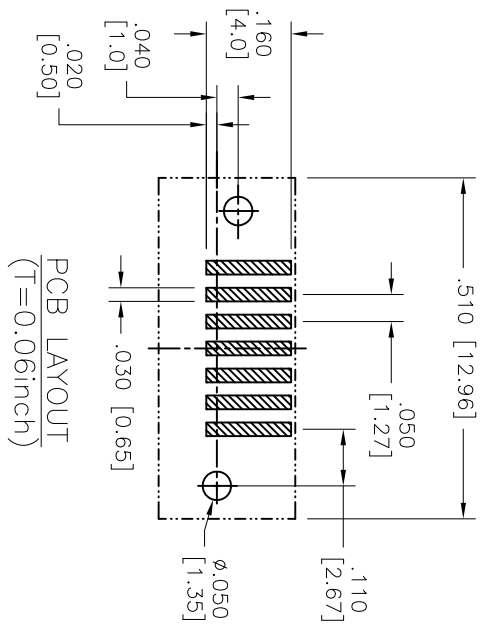
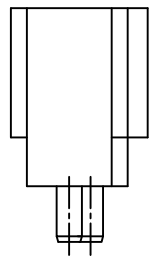
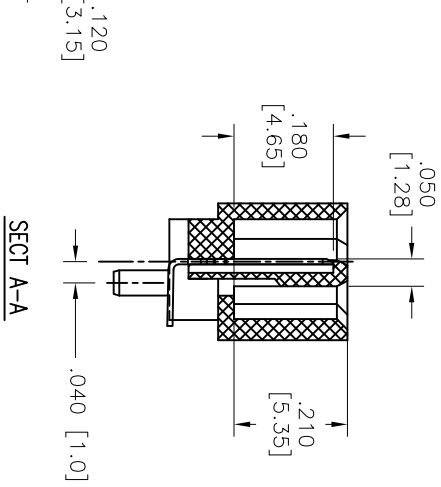
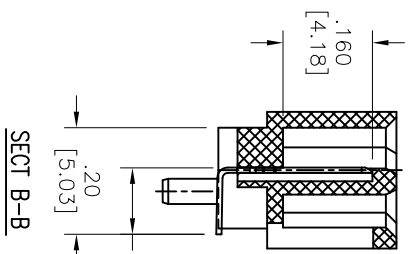
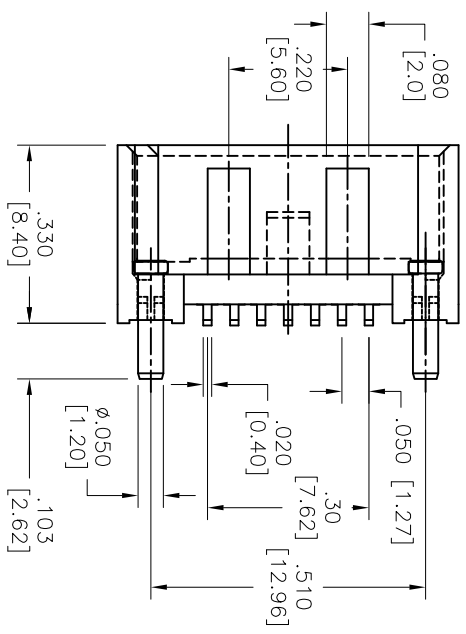
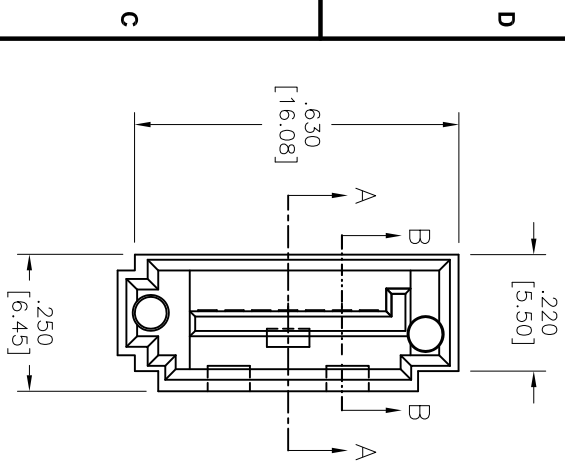


Rev	AWO #	Description	Date	Appr
-		Released	10/18/10	SS

APPROVED: \_\_\_\_\_

DATE: \_\_\_\_\_ TITLE: \_\_\_\_\_



**SPECIFICATIONS:**

**Material:**

Insulator: Nylon 6T, rated UL 94V-0

Insulator color: Black

Contacts: Brass

**Plating:**

.000015" Gold over Nickel underplate on mating area, Tin over Copper underplate on tails

**Electrical:**

Operating voltage: 30 VAC max

Current rating: 1.5 Amps max.

Contact resistance: 30 mohms max.

Insulation resistance: 1,000 Mohms min @ 500 VAC

Dielectric withstanding voltage: 500 VAC for 1 minute

**Mechanical:**

Insertion force: 45N max

Withdrawal force: 10N min

Durability: 500 cycles

Temperature Rating: Operating temperature: -55°C to +125°C

Environmental:

Lead free, RoHS compliant.

Recommended soldering temp: 260°C for 5 sec.

**ADAM TECH**

909 Railway Avenue, Union, NJ 07083  
 Phone: 908-687-5000 Fax: 908-687-5710

TITLE: SATA 7P STRAIGHT DIP B TYPE SHIELD  
 ROUNDED COPPER POLE(THROUGH TYPE) MALE

UNLESS OTHERWISE SPECIFIED ALL DIMENSIONS ARE INCHES [MM]		TOLERANCES: EXCEPT AS NOTED	
.XX	± .10	ØXX	± .10
.XX	± .020	ØXXX	± .015
.XXX	± .015	ØXXX	± .010
APPROVALS		DATE	
DRAWN	SS	10/18/10	
CHECKED			
APPROVED			
SIZE	PART NO.	SCALE	REV.
X	SATA-P-PR-SMT-G03	NTS	
REF:		SHEET	1 OF 1

