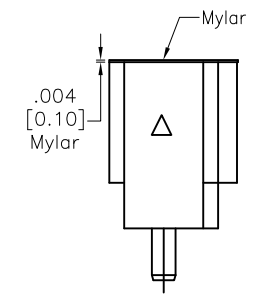
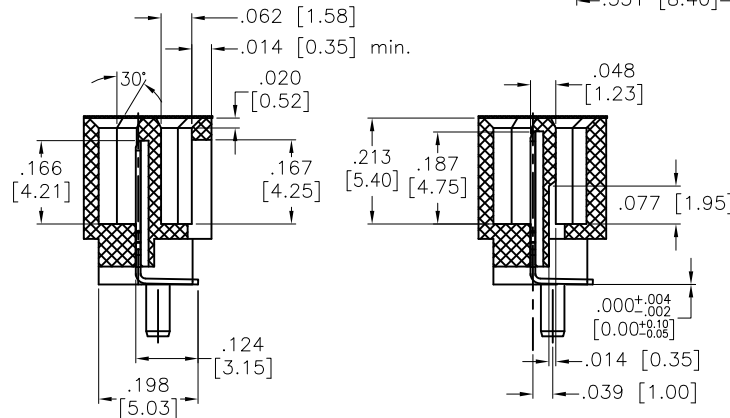
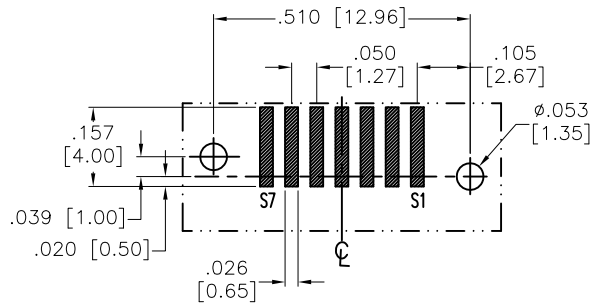
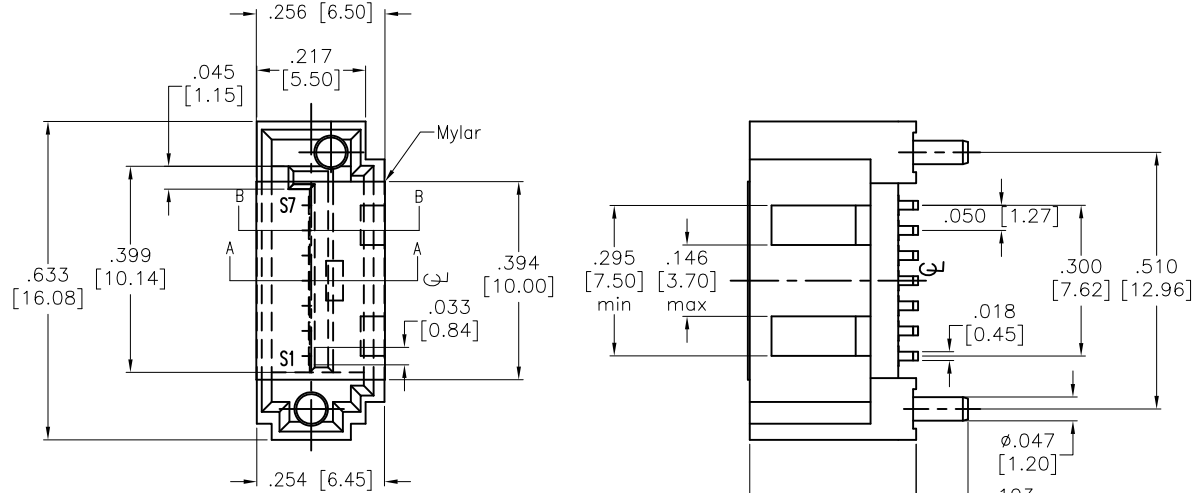


APPROVED: \_\_\_\_\_  
 DATE: \_\_\_\_\_ TITLE: \_\_\_\_\_

Rev	AWO #	Description	Date	Appr
-		RELEASED	7/11/11	
A		REVISED DIM.	5/14/13	
B		UPDATED DRAWING	8/22/16	HR/CH

Signal Segment	
Name	Type
S1	GND
S2	A+
S3	A-
S4	GND
S5	B-
S6	B+
S7	GND



**SPECIFICATIONS:**

Material:  
 Insulator: Hi-temp thermoplastic, rated UL 94V-0  
 Insulator color: Black  
 Contacts: Brass  
 Boardlock: Brass, Tin plated  
**Plating:**  
 Gold Flash over Nickel underplate on mating area,  
 Tin over Nickel underplate on tails

**Electrical:**  
 Current rating: 1.5 Ampere per Contact  
 Contact resistance: 30 mohms max.  
 Insulation resistance: 1,000 Mohms min  
 Dielectric withstanding voltage: 500 VAC for 1 minute

**Mechanical:**  
 Insertion force: 45N max  
 Withdrawal force: 10N min  
 Durability: 500 Cycles  
**Temperature Rating:**  
 Operating temperature: -55°C to +85°C  
 Environmental:  
 Lead free, RoHS compliant.



PACKAGED ON TAPE & REEL

UNLESS OTHERWISE SPECIFIED ALL DIMENSIONS ARE INCHES [MM] TOLERANCES: EXCEPT AS NOTED		<b>ADAM TECH</b> 909 Rahway Avenue, Union, NJ 07083 Phone: 908-687-5000 Fax: 908-687-5710	
INCHES HOLES .X ± .10 $\phi$ X ± .10 .XX ± .020 $\phi$ .XX ± .015 .XXX ± .015 $\phi$ .XXX ± .010			
APPROVALS		TITLE	
DRAWN	AY	SATA 7P STRAIGHT DIP B TYPE SHIELD ROUNDED COPPER POLE(THROUGH TYPE) MALE	
CHECKED	SC	DATE	7/11/11
APPROVED		SIZE	X
		PART NO.	SATA-P-PR-SMT-KT-T/R
		REV.	B
REF:	S00078T	SCALE:	NTS
		SHEET	1 OF 1